



TRW CS-3

3650 north nevada avenue
colorado springs, colorado 80907



John James Wallace & associates
architects
102 north cascade avenue,
colorado springs, colorado 80903
303-632-2623

drawing title:
PARTIAL FLOOR PLAN
PLUMBING

drawn:
KT

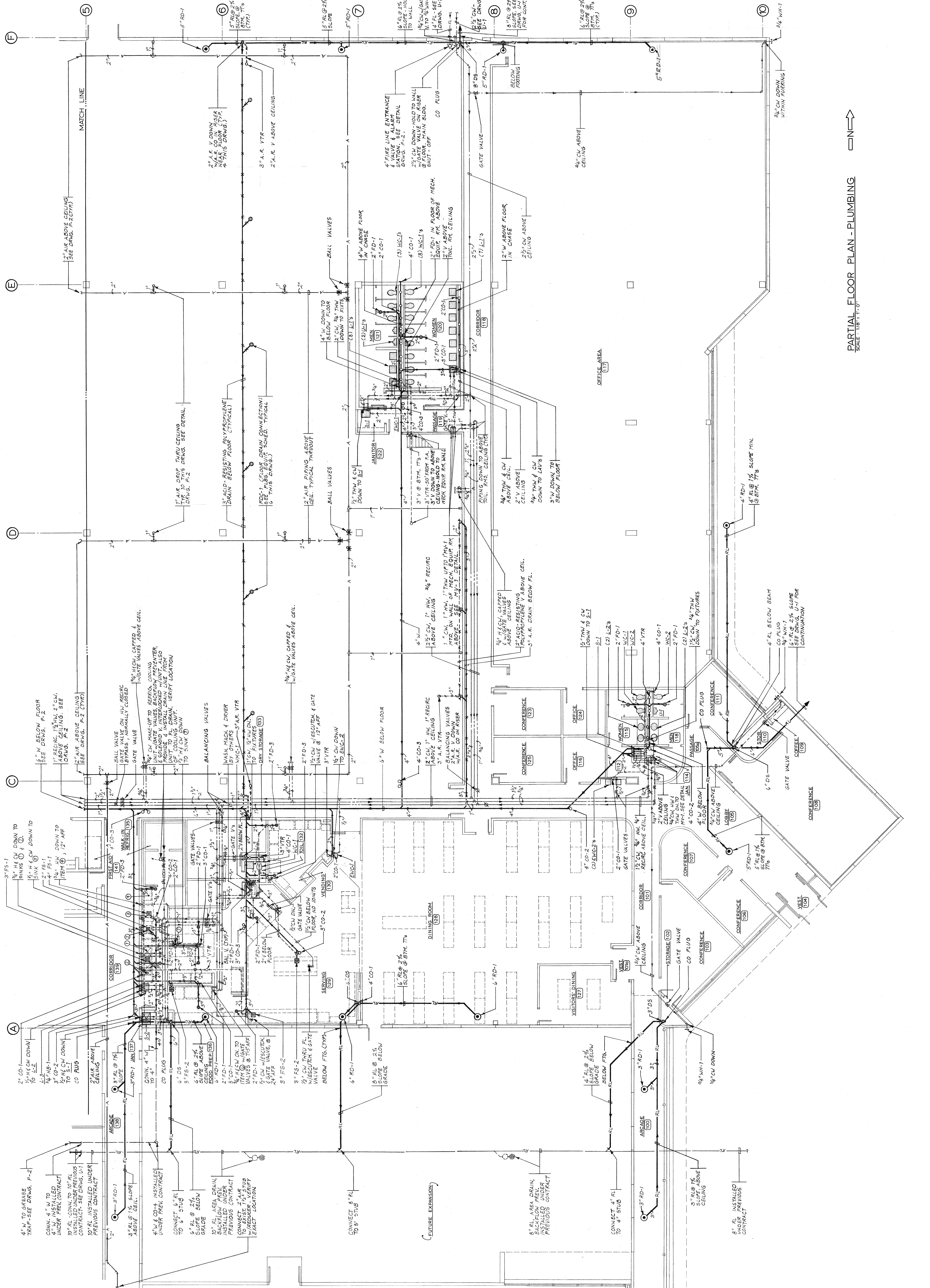
checked:
DRM

issued:
2/19/83

revised:

jjwa 7904

drawing
p-1
of 3



PARTIAL FLOOR PLAN - PLUMBING
SCALE: 1/8" = 1'-0"



TRW CS-3
3650 North Nevada Avenue
Colorado Springs, Colorado 80903



John James Wallace & Associates
102 North Cascade Avenue,
Colorado Springs, Colorado 80903
a.l.a.

drawing title:
PARTIAL FLOOR PLAN - PLUMBING & DETAILS

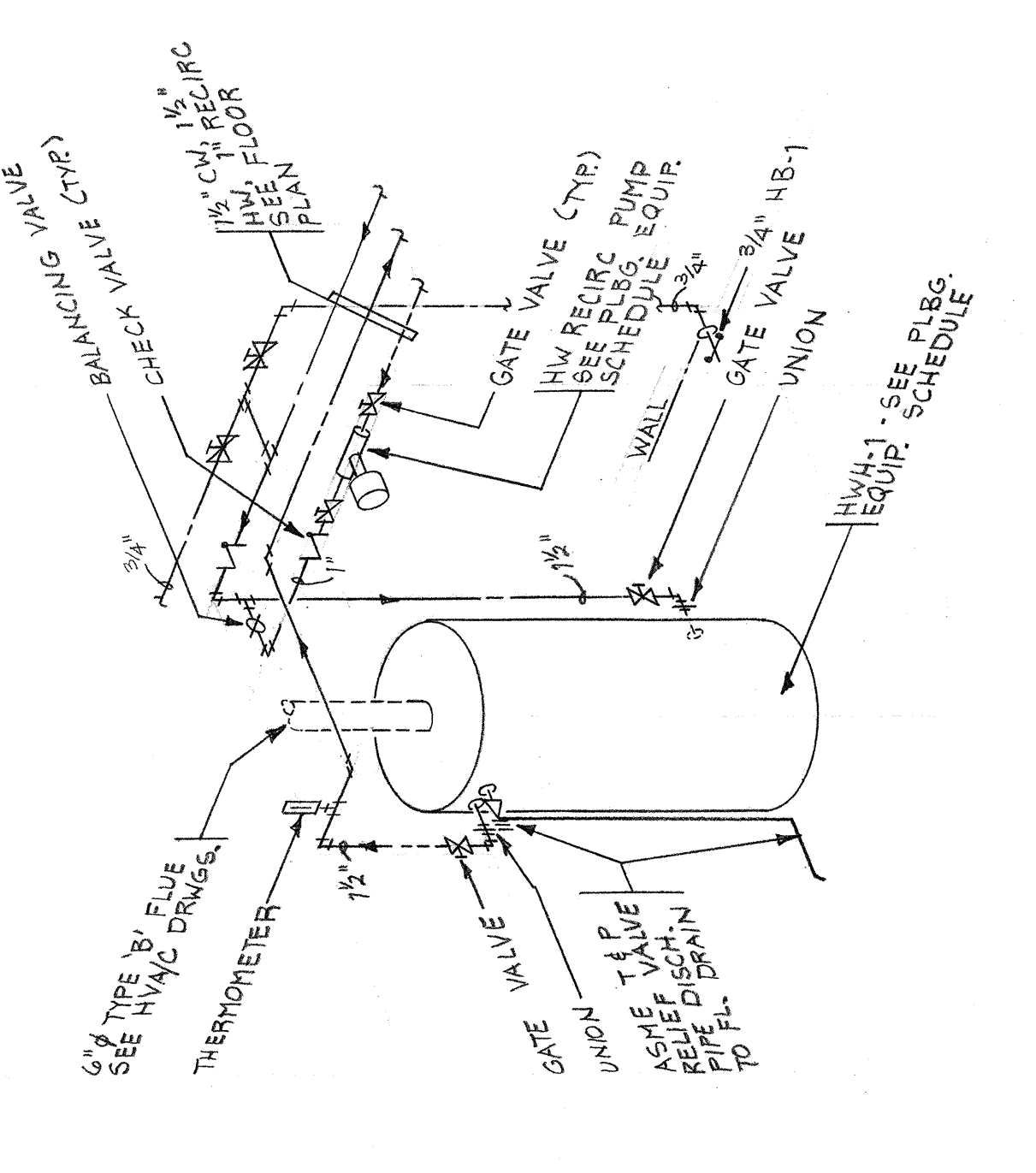
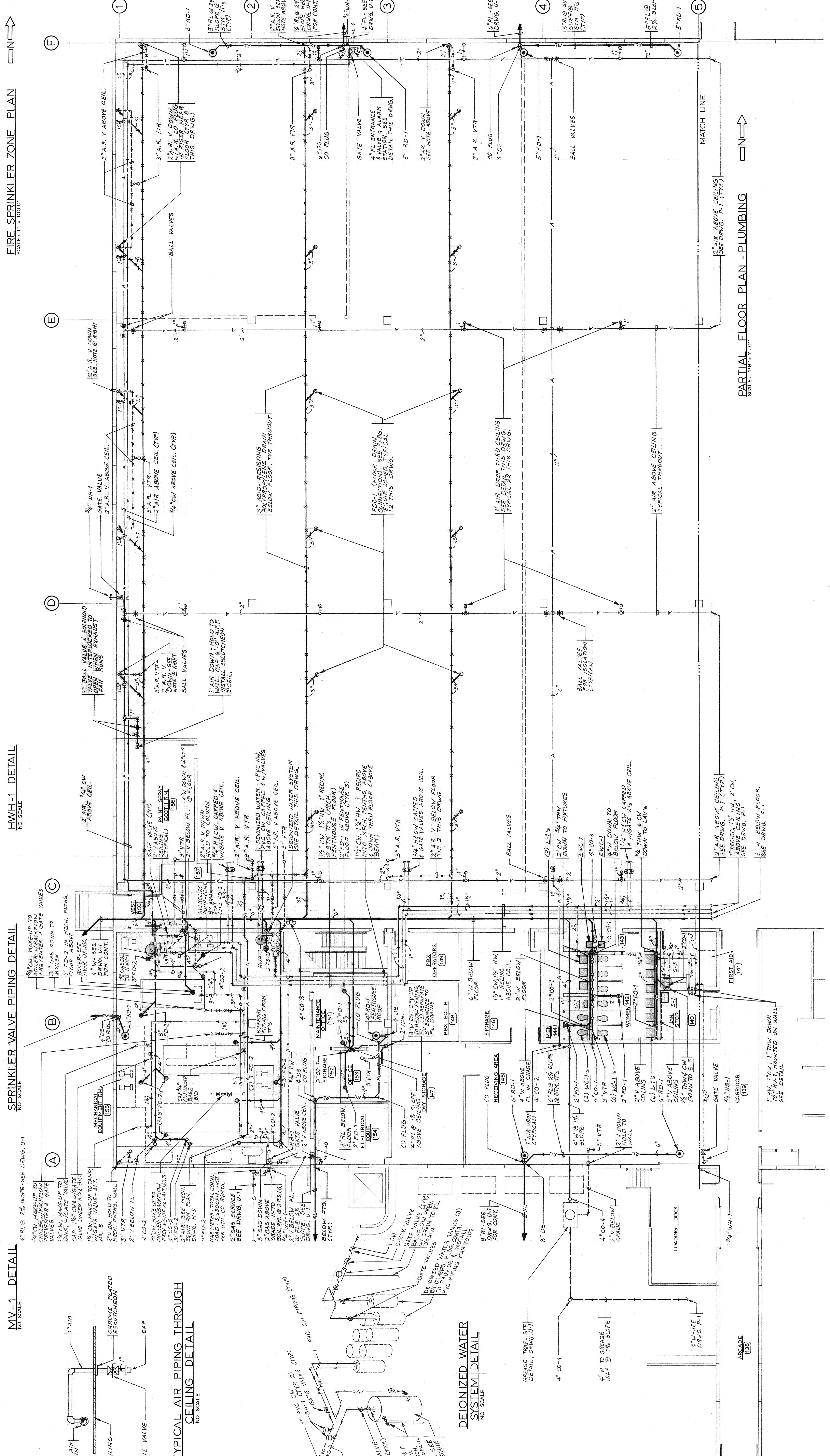
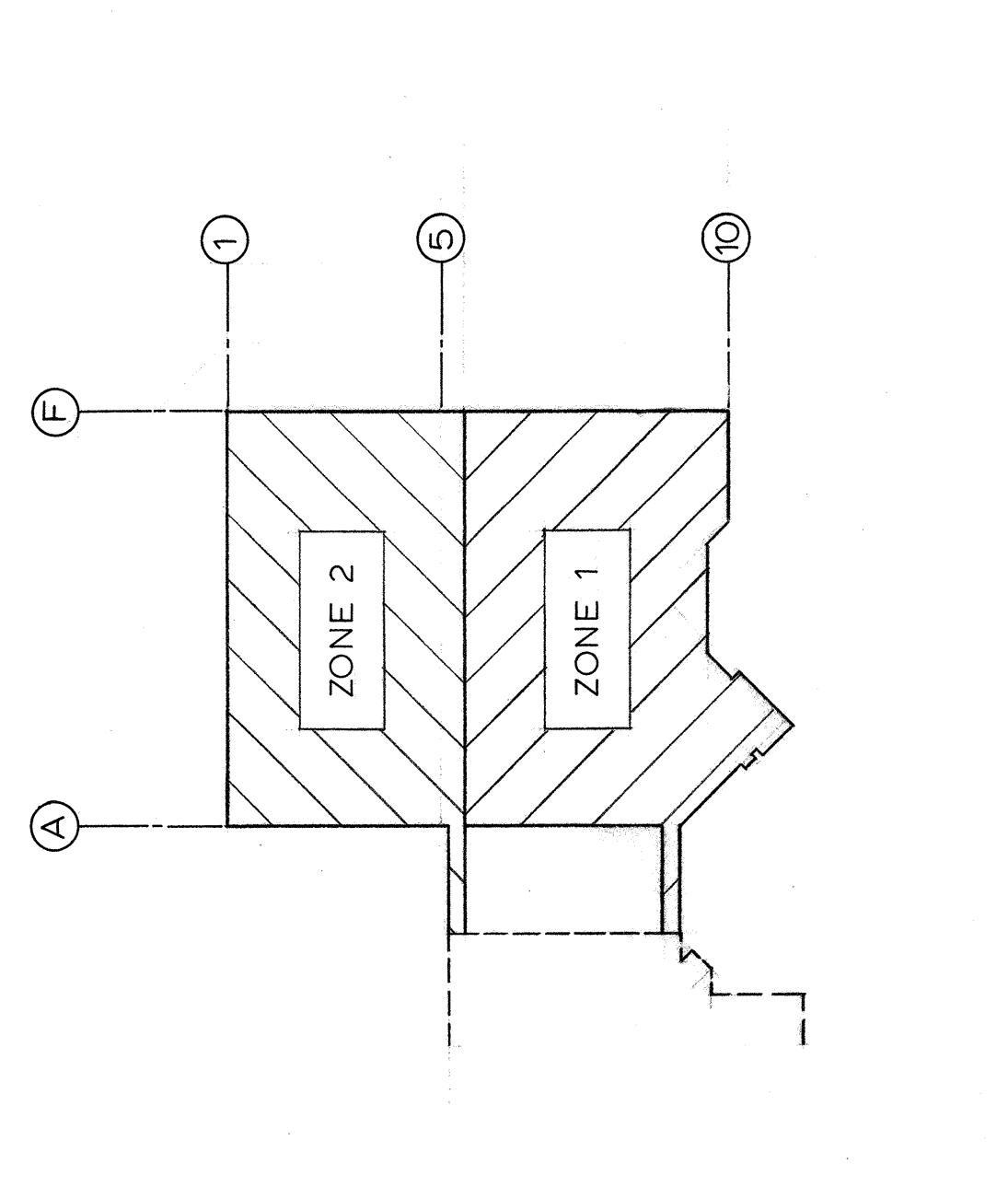
drawn:
D.R.M.

checked:
D.R.M.

issued:
2/11/81

revised:
2/11/81

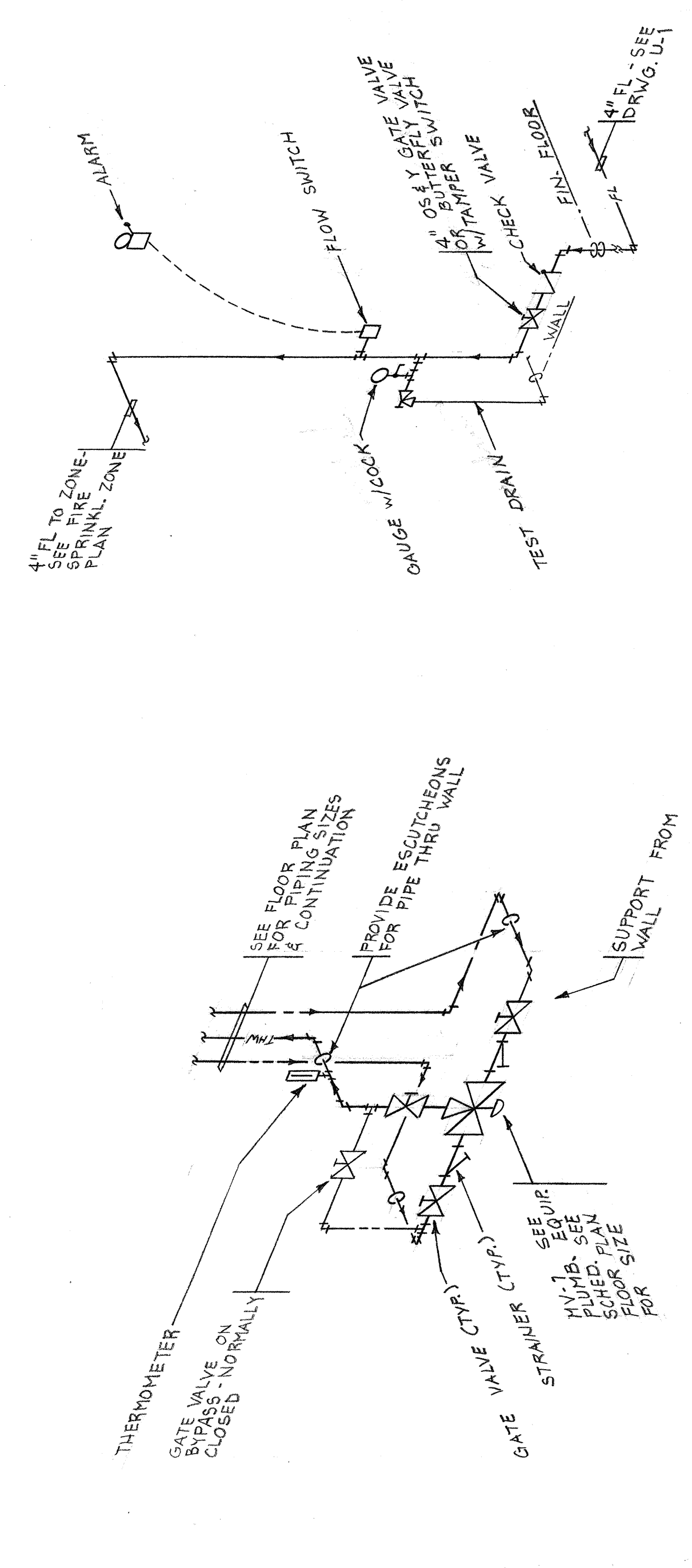
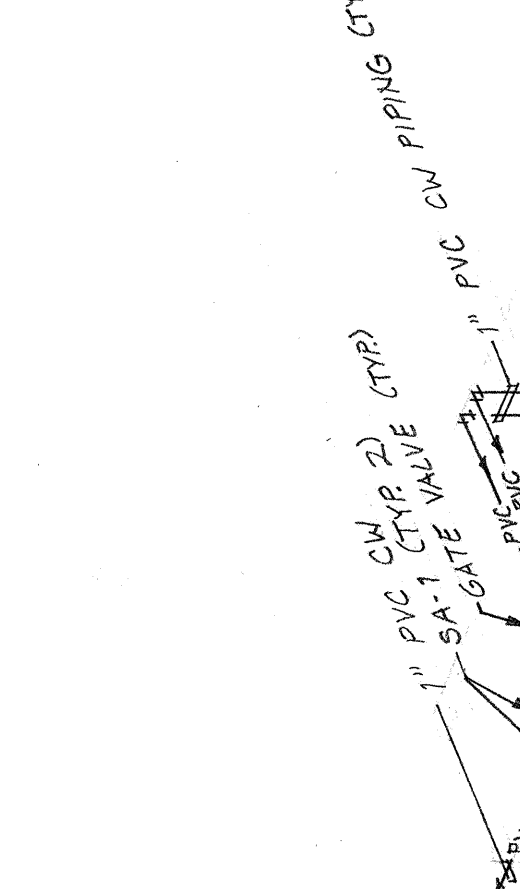
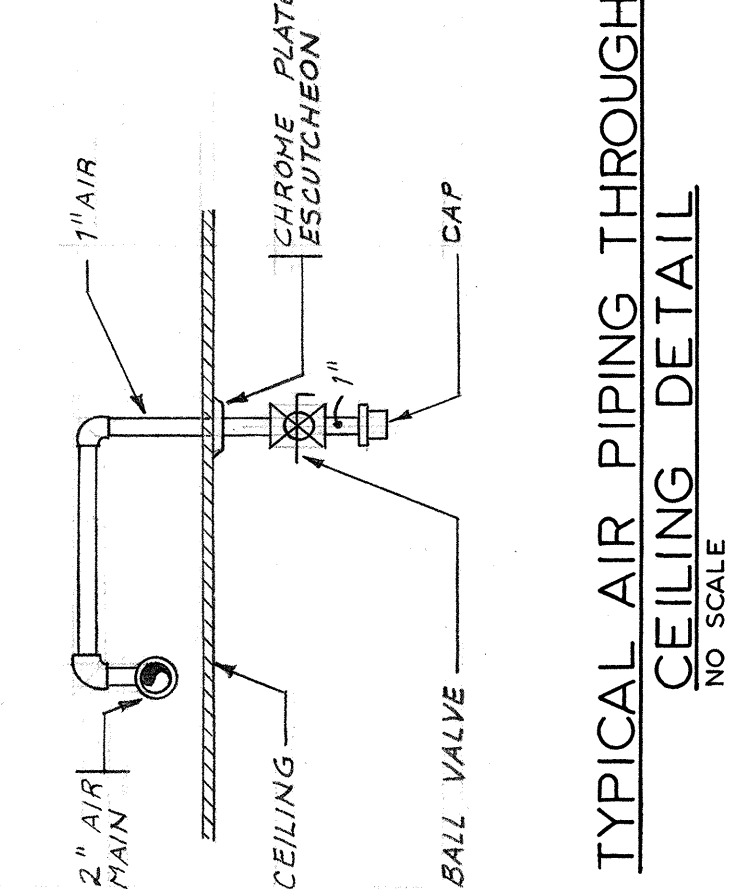
ijwa 7904
drawing
p-2 of 3



HW-1 DETAIL
NO SCALE

SPRINKLER VALVE PIPING DETAIL
NO SCALE

MAINTENANCE AREA
NO SCALE



HW-1 DETAIL
NO SCALE

SPRINKLER VALVE PIPING DETAIL
NO SCALE

MAINTENANCE AREA
NO SCALE

