

TA/TE STANDARD ABBREVIATIONS	
ID	DESCRIPTION
ADA-##	AUDIO DISTRIBUTION AMPLIFIER
AMP(X)-##	AUDIO AMPLIFIER
ANT-##	ANTENNA
APB(X)-##	AUDIO PATCH BAY
CAM(X)-##	CAMERA
AV(X)-##	AV WALL PLATE. "X" DENOTES THE NUMBER OF GANGS. "##" DENOTES INSTANCE ID
CPU-##	COMPUTER
CCU-##	CAMERA CONTROL UNIT
CSP-##	CONTROL SYSTEM PROCESSOR
DSP(X)-##	DIGITAL SIGNAL PROCESSOR
DVC(X)-##	DIGITAL VOLUME CONTROL
FOR-##	FIBER OPTIC RECEIVER
FOT-##	FIBER OPTIC TRANSMITTER
FOX-##	FIBER OPTIC TRANSCEIVER
JB(X)-##	KEYBOARD VIDEO MOUSE TRAY (RACK MOUNT)
KVM-##	KEYBOARD VIDEO MOUSE TRAY (RACK MOUNT)
NAP-##	WIRELESS MICROPHONE ACCESS POINT
MIC-XX	MICROPHONE
MIX(X)-##	AUDIO MIX PLATE
MON(X)-33	VIDEO MONITOR. "X" DENOTES SIZE OF SCREEN.
PAC(-##)	CHIEF PAC BACK BOX. USE OF "##" OPTIONAL.
PC-##	PRODUCTION COMMUNICATIONS WALL PLATE
POMS-##	PRODUCTION COMMUNICATIONS MASTER STATION
PCPS-##	PRODUCTION COMMUNICATIONS POWER SUPPLY
PCS-##	PRODUCTION COMMUNICATIONS SPEAKER STATION
POI-##	POWER DISTRIBUTION UNIT/STRIP
PRO(X)-##	VIDEO PROJECTOR. "X" DENOTES TYPE.
RCP-##	CAMERA REMOTE CONTROL PANEL
RK(X)-##	EQUIPMENT RACK. USE "X" IF YOU HAVE MULTIPLE RACK TYPE/SIZE.
SPK(X)-##	LOUDSPEAKER. "X" DENOTES THE TYPE. "##" DENOTES THE INSTANCE
TP(X)-##	TOUCH PANEL. "X" DENOTES SIZE.
TV-##	TELEVISION WALL PLATE
TV(X)-##	TELEVISION. "X" DENOTES SIZE OF TV.
UPS(X)-##	UNINTERRUPTIBLE POWER SUPPLY.
VCO(X)-##	VOLUME CONTROL. USE "X" TO DENOTE TYPE
VDA-##	VIDEO DISTRIBUTION AMPLIFIER
VDO(X)-##	VIDEO PROJECTOR PLATE
VPB(X)-##	VIDEO PATCH BAY
WAP-##	WIRELESS ACCESS POINT
WLESS-RX-##	WIRELESS MICROPHONE RECEIVER
WTL-##	WITNESS TIMER LIGHT
WW(X)-##	WIREFRAY. USE "X" IF MORE THAN ONE WIREFRAY TYPE/SIZE.

PROJECT CABLE TYPES SCHEDULE					
ID	SIGNAL	MAKE	NON PLENUM	PLENUM	NOTES
A	AUDIO	WEST PENN	454	D25454	LINE LEVEL AUDIO
A	AUDIO	WEST PENN	455	-	IN-RACK CONFORMABLE LINE LEVEL AUDIO
C	CONTROL	WEST PENN	77550	D25350	MEDIA CONTROL CABLE
D	DATARS-232/485	WEST PENN	D2444	D25344	DATARS-232/485
DM	DIGITAL MEDIA	CRESTRON	DM-CBL-8G-NP	DM-CBL-8G-P	CRESTRON DIGITAL MEDIA CABLE
DX	DX LINK	WEST PENN	4246AF	254246AF	AMID DX LINK CABLE
E	CONTROL	WEST PENN	291	25291B	RELAY/CONTACT CLOSURE
F1	RF RG-6	WEST PENN	841	25841	750 CATV/SATELLITE DROP
F2	RF RG-11	WEST PENN	821	25821	750 CATV/SATELLITE TRUNK
H1	RF RG-58AUJ	WEST PENN	812	25812	<25' 500 LOUDSPEAKER/SUBWOOFER
H2	RF RG-30JU	WEST PENN	807K	N/A	>25' OR <100' 500 ANTENNA FOR WIRELESS SYSTEMS
H3	RF RG-213JU	WEST PENN	810	25810	>100' 500 ANTENNA FOR WIRELESS SYSTEMS
I	RO-58AUJ	WEST PENN	812	25812	500' FOR ASSISTIVE LISTENING SYSTEMS
L1	10G LAN	WEST PENN	4246	254246	ETHERNET/CAT 6 (10G) U/UTP
L2	10G LAN	WEST PENN	4246A	254246A	ETHERNET/CAT 6 (10G) U/UTP
L3	10G LAN	WEST PENN	4246AF	254246AF	ETHERNET/CAT 6A SHIELDED (10G) FU/TP
M	MICROPHONE	WEST PENN	454	D25454	MICROPHONE LEVEL AUDIO
M	MICROPHONE	WEST PENN	455	-	IN-RACK CONFORMABLE MICROPHONE LEVEL AUDIO
P	POWER 18W 2C	WEST PENN	224	25224B	LOW VOLTAGE POWER
S1	SPEAKER 18W 2C	WEST PENN	C210	25210	>150' 80 LOUDSPEAKER/SUBWOOFER
S2	SPEAKER 12W 2C	WEST PENN	227	25227B	>25' OR <150' 80 LOUDSPEAKER
S3	SPEAKER 16W 2C	WEST PENN	225	25225B	<500' 70V LOUDSPEAKER
S4	SPEAKER 12W 4C	WEST PENN	248	25248B	>25' OR <150' 80 BIAMP LOUDSPEAKER
U1	FU/TP	WEST PENN	4246AF	254246AF	2K HD HDBase-T
U2	FU/TP	BELDEN	2183R	2183P	4K UHD HDBase-T
X1	COM	BELDEN	8762	N/A	<500' PRODUCTION COMMUNICATIONS
X2	COM	BELDEN	8760	N/A	>500' PRODUCTION COMMUNICATIONS
XT	EXTRON XTP	EXTRON	XTP DTP 24	XTP DTP 24P	XTP DIGITAL DISTRIBUTION
Y	FIBER	TBD	TBD	TBD	FIBER OPTIC - RE: TN SPECIFICATIONS
Z	DIG AUDIO	WEST PENN	DA2401	DA252401	AESEBU DIGITAL AUDIO

CABLE NOTES

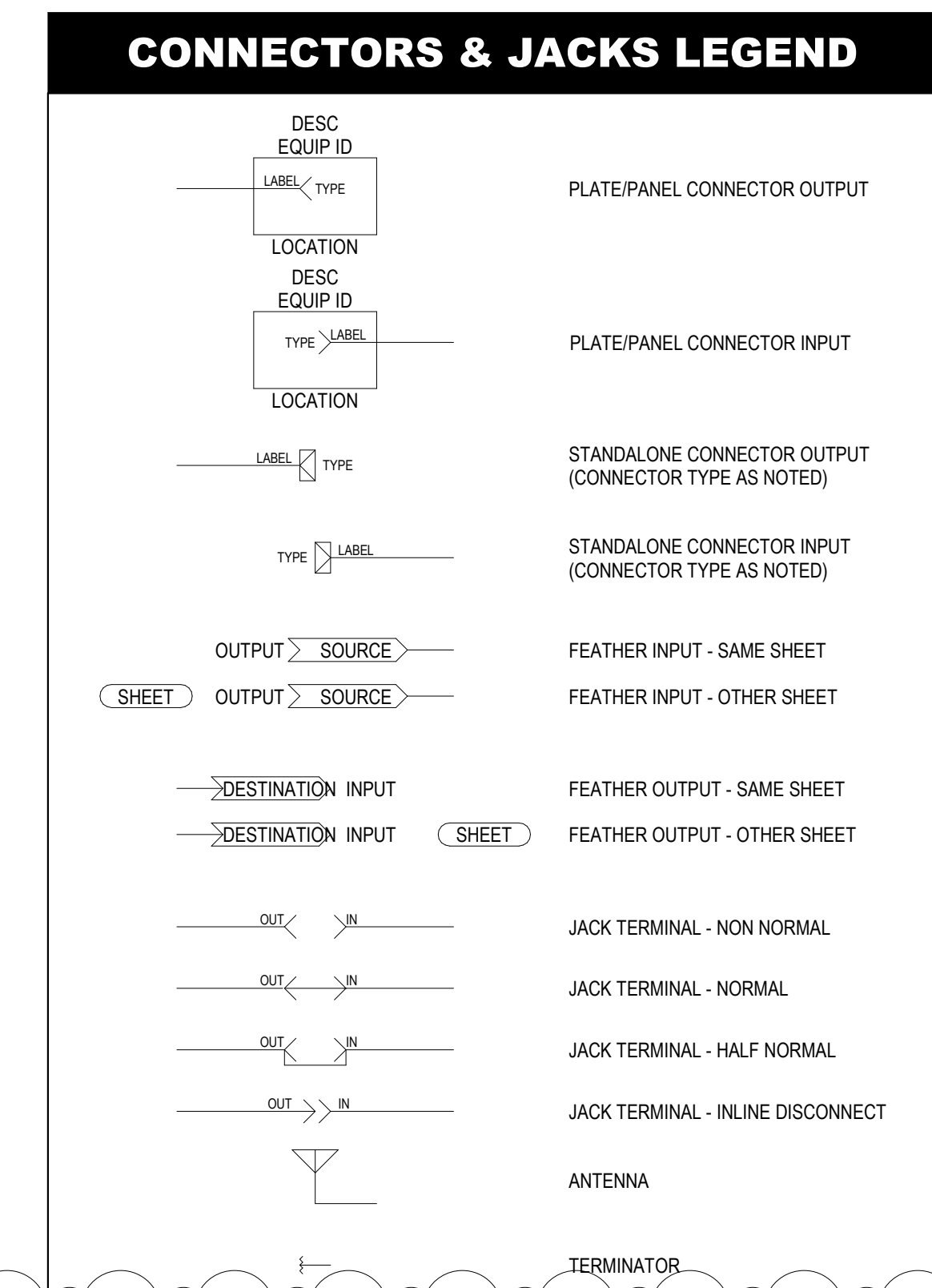
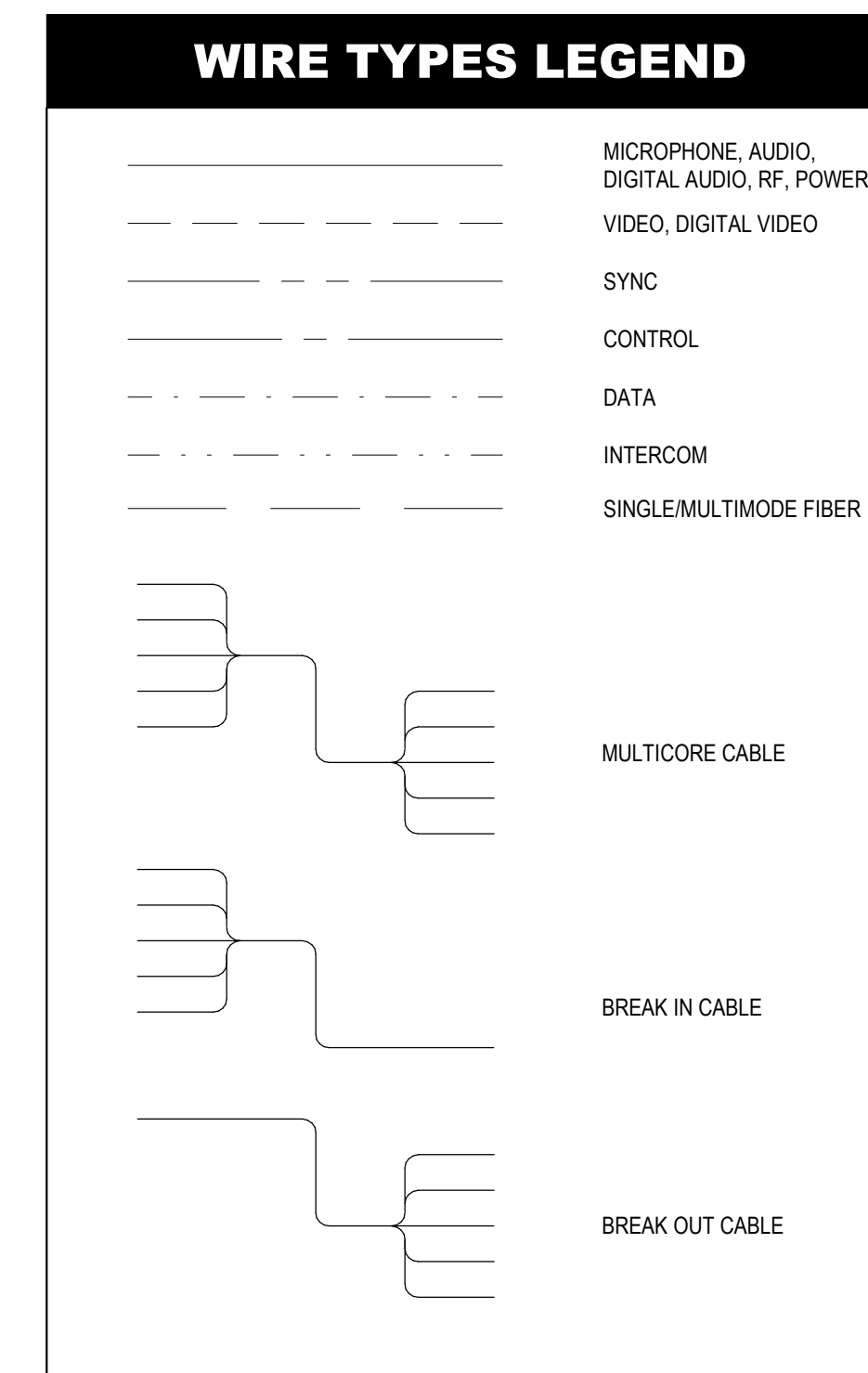
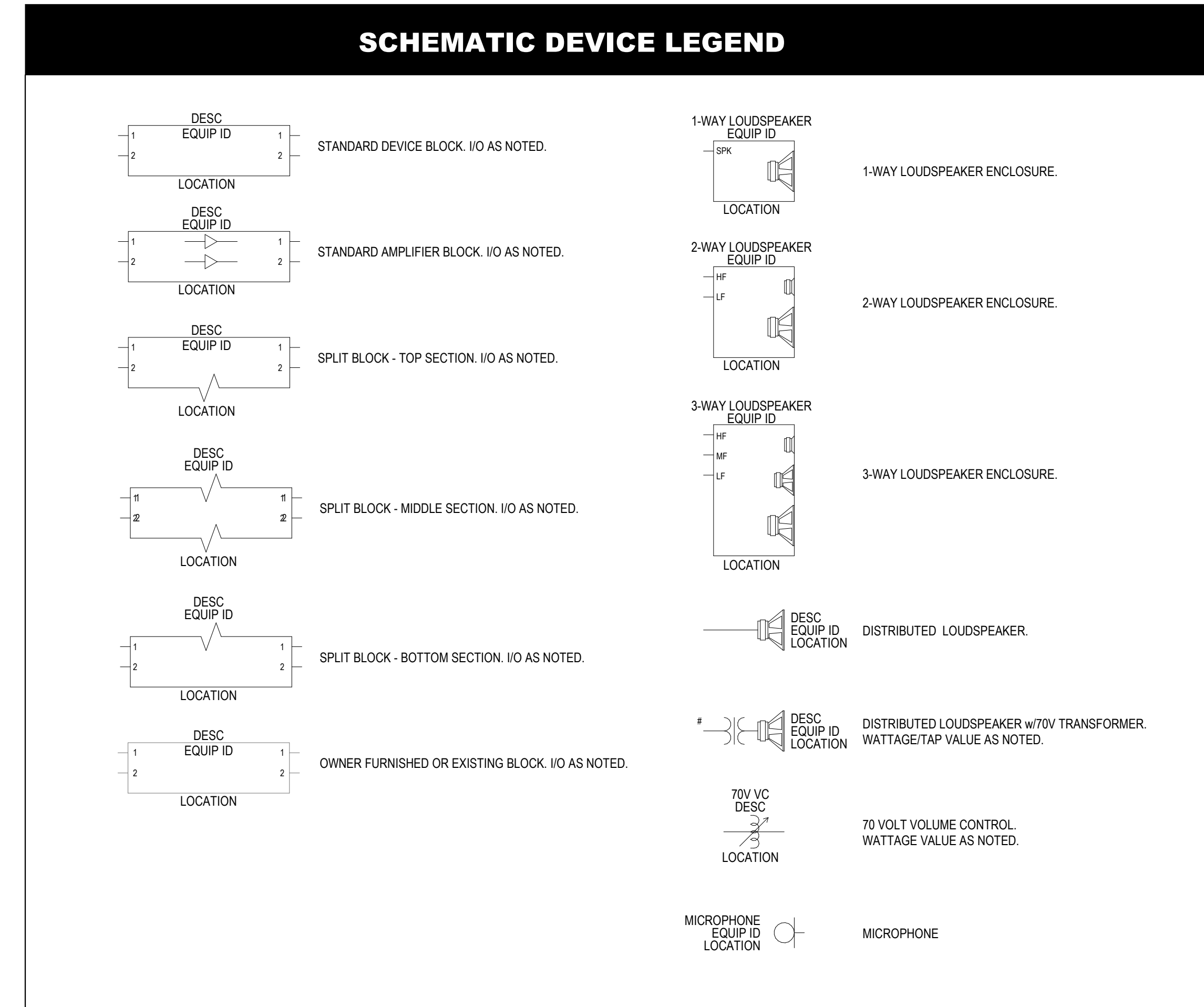
- NOT ALL ACCEPTABLE CABLES LISTED ABOVE MAY BE EMPLOYED IN THE SYSTEM.
- INSULATION DIELECTRIC AND JACKET SHALL BE APPROPRIATE TO INSTALLATION CODE REQUIREMENTS.
- INSTALL IN METALLIC CONDUIT, WIRE-WAY, OR FLEXIBLE CONDUIT, UNLESS OTHERWISE NOTED OR INSTRUCTED.
- NO SPLICES OR INTERMEDIATE CONNECTION POINTS ARE PERMITTED UNLESS SPECIFICALLY CALLED FOR IN THE SPECIFICATION OR DRAWINGS.
- NO SUBSTITUTIONS ARE ALLOWABLE WITHOUT SPECIFIC WRITTEN APPROVAL.
- ALL CABLE FOR A GIVEN WIRING CATEGORY SHALL BE CONSISTENT UNLESS SPECIFIED OTHERWISE, (I.E. IF WEST PENN (X)45 IS CHOSEN FOR FIXED LINE LEVEL WIRING, ALL FIXED LINE LEVEL WIRING SHALL BE DONE WITH THIS CABLE).
- CABLES WITH WIRE SHIELDS, BRAID OR WOUND, MUST USE ALL THE WIRE CONDUCTORS FOR SHIELD TERMINATION, AND NOT JUST A DRAIN WIRE OR SOME OF THE SHIELD STRANDS. CONNECTIONS NOT FOLLOWING THIS REQUIREMENT WILL BE REJECTED.
- FOIL SHIELDED CABLES ONLY PROVIDED WITH A DRAIN WIRE MUST USE THE DRAIN WIRE FOR SHIELD TERMINATION.
- MOLDED CABLE/CONNECTORS ARE NOT ACCEPTABLE FOR AUDIO, VIDEO, OR CONTROL CIRCUITS WHEN SPECIFICALLY IDENTIFIED (PATCH CORDS) FOR COMPUTER SIGNAL INTERCONNECTION, OR FOR AC POWER CORDS.
- ALL EQUIPMENT MUST BE PROVIDED WITH SIGNAL AND/OR CONTROL CABLING, WHETHER OR NOT SPECIFICALLY SHOWN ON THE CONDUIT AND WIRING DRAWINGS.
- THE MALE END OF ALL PORTABLE CABLES SHALL BE SUPPLIED WITH RIP-TIE ORIGINAL CABLE WRAP OR APPROVED EQUAL.

PROJECT CABLE CONNECTOR SCHEDULE					
ID	TYPE	MAKE	CABLE MOUNT	CHASSIS MOUNT	NOTES
XLRF	XLR FEMALE	NEUTRIK	NC3FX-B	NC3FD-L1-B	LINE/MIC LEVEL AUDIO
XLRM	XLR MALE	NEUTRIK	NC3MX-B	NC3MD-L1-B	LINE/MIC LEVEL AUDIO
XLRFx	XLR FEMALE	NEUTRIK	NC3FX-EMC	NC3FDX-EMC-SPEC	RF HOSTILE ENVIRONMENT
XLRMx	XLR MALE	NEUTRIK	NC3MX-EMC	N/A	RF HOSTILE ENVIRONMENT
TS	1/4" PHONE FEMALE	NEUTRIK	NJFC-B	NJSPFC-B	1/4" TIP SLEEVE
TSF	1/4" PHONE FEMALE	NEUTRIK	NJFC-B	NJSPFC-B	1/4" TIP RING SLEEVE
TSm	1/4" PHONE MALE	NEUTRIK	NP2X-B	N/A	1/4" TIP SLEEVE
TRSm	1/4" PHONE MALE	NEUTRIK	NP3X-B	N/A	1/4" TIP RING SLEEVE
mTRS	3.5" MINI	SWITCHCRAFT	3SHDBAU	N/A	3.5MM (1/8") MINI STEREO AUDIO
NL2	SPEAKER 2	NEUTRIK	NL2FC	NL2MP	2C LOUDSPEAKER
NL4	SPEAKER 4	NEUTRIK	NL4FC	NL4MP	4C LOUDSPEAKER
NL8	SPEAKER 8	NEUTRIK	NL8FC	NL8MP	8C LOUDSPEAKER
RCAf	RCA FEMALE	NEUTRIK	N/A	NF20-9-W	UNBAL. AUDIO. "F" = COLOR
RCAm	RCA MALE	NEUTRIK	NF2C-R2	N/A	UNBAL. AUDIO
RCAf	RCA FEMALE	CANARE	N/A	RJ-BC-RU	750 VIDEO, COLOR MATCH INSULATOR
RCAM	RCA MALE	LIBERTY	CM-RG25-RCA	N/A	750 VIDEO, 25 AWG SOLID
RCAm	RCA MALE	LIBERTY	CM-RG58C-RCA	N/A	750 VIDEO, RG-59, SUB "P" FOR "C" FOR PLENUM
RCAm	RCA MALE	LIBERTY	CM-RG6C-RCA	N/A	750 VIDEO, RG-6, SUB "P" FOR "C" FOR PLENUM
F	F FEMALE	CANARE	N/A	FJ-R	750CATV, PROVIDE ISO BUSHING
F	F FEMALE	LIBERTY	CM-RG50-F	N/A	750 CATV, RG-59, SUB "P" FOR "C" FOR PLENUM
F	F FEMALE	LIBERTY	CM-RG6C-F	N/A	750 CATV, RG-6, SUB "P" FOR "C" FOR PLENUM
RJ45	RJ45	PANDUIT	SP688-C	CJ888TP (##)	TX6 PLUS, ## = JACK COLOR
EC	ETHERCON	NEUTRIK	NEBMC-MO	NEBFDV-Y10-B	CATEGORY 6 DATA (STP OR UTP)
EC	ETHERCON	NEUTRIK	NEBMC-BL-T	NEBFDX-Y6-B	CATEGORY 6 DATA (STP OR UTP)
PC	POWERCON 20A	NEUTRIK	NAC3FCA	NA3MPA-1	POWER
W3	W3 MASS	WHIRLWIND	W3RP	W3CRP	122 PIN, 40 CHANNEL AUDIO
W4	W4 MASS	WHIRLWIND	W4RP	W4CRP	176 PIN, 38 CHANNEL AUDIO
W5	W5 MICRO MASS	WHIRLWIND	W5RP	W5CRP	48 PIN, 16 CHANNEL AUDIO
W6	W5 MICRO MASS	WHIRLWIND	W6RP	W6CRP	84 PIN, 28 CHANNEL AUDIO
DM	DIGITAL MEDIA	CRESTRON	DM-8G-CONN-WG	-	CRESTRON DIGITAL MEDIA CABLE MOUNT
DM	DIGITAL MEDIA	NEUTRIK	-	NEBFDV-05-B	CRESTRON DIGITAL MEDIA CHASSIS MOUNT
DX	DX LINK	PANDUIT	SP688-C	CJ888TGY	TX6 PLUS SHIELDED, UNKEYED
XT	EXTRON XTP	EXTRON	XTP DTP 24 P/LLG	XTP DTP 24 JACK	EXTRON XTP

CONNECTOR NOTES

- NOT ALL ACCEPTABLE CONNECTORS LISTED ABOVE MAY BE EMPLOYED IN THE SYSTEM.
- EMPLOY ONLY NEW FIRST QUALITY CONNECTORS, ASSEMBLED WIRED, AND INSTALLED ACCORDING TO THE MANUFACTURER'S INSTRUCTIONS.
- DO NOT MOUNT CONNECTORS IN INACCESSIBLE LOCATIONS, OR EMPLOY TO SPLICE CABLES.
- CONNECTORS SHALL TYPICALLY BE KEYPED TO PREVENT MIS-INSERTION, AND INCLUDE STRAIN RELIEF MECHANISMS THAT FIRMLY GRIP THE CABLE JACKET.
- ALL AUDIO, VIDEO, AND CONTROL CONNECTORS NOT A PART OF MANUFACTURED EQUIPMENT (BNC, XLR, PHONE, VIDEO PATCH, CARD EDGE, MULTIFIN, SPRADE LUG ETC.) SHALL HAVE GOLD PLATED CONTACTS. ONLY EXCEPTIONS SHALL BE 1/4" PHONE JACKS, AUDIO PATCH PLUGS, AND LOUDSPEAKER CONNECTORS.
- ALL XLR CONNECTORS, PER IEC-268 STANDARD, WITHIN EQUIPMENT OR OUT, SHALL BE WIRED PIN 2 HOT (HIGH), PIN 3 LOW, AND PIN 1 SCREEN (SHIELD), AT NO TIME CONNECT THE XLR CASE OR BODY TO PIN 1 ON A CONNECTOR NOT PART OF EQUIPMENT CONSTRUCTED OF METAL SHELLS AND BODIES AND NON-HYDROSCOPIC DIELECTRIC.

SHEET INDEX		
ID	DESCRIPTION	REV
TA-001	AUDIOVISUAL COVER SHEET	6
TA-101	LEVEL 1 FLOOR PLAN & RCP - AUDIOVISUAL	6
TA-102	LEVEL 2 FLOOR PLAN & RCP - AUDIOVISUAL	6
TA-103A	LEVEL 3 FLOOR PLAN & RCP - LAB BLDG - AUDIOVISUAL	6
TA-103B	LEVEL 3 FLOOR PLAN & RCP - SHOP BLDG - AUDIOVISUAL	6
TA-401	AUDIOVISUAL ENLARGED DRAWINGS	6
TA-410	AUDIOVISUAL ELEVATIONS	6
TA-411	AUDIOVISUAL ELEVATIONS	6
TA-412	AUDIOVISUAL ELEVATIONS	6
TA-413	AUDIOVISUAL ELEVATIONS	6
TA-501	AUDIOVISUAL DETAILS	6
TA-502	AUDIOVISUAL DETAILS	6
TA-601	AUDIOVISUAL FUNCTIONAL DIAGRAMS	6
TA-602	AUDIOVISUAL FUNCTIONAL DIAGRAMS	6
TA-603	AUDIOVISUAL FUNCTIONAL DIAGRAMS	6
TA-604	AUDIOVISUAL FUNCTIONAL DIAGRAMS	6



AV BACK BOX SCHEDULE							
GENERAL ID	BOX DESCRIPTION	BOX MAKE	BOX MODEL	KNOCKOUTS	BOX DEPTH	BOX HEIGHT	BOX WIDTH
AV1	4-Square Box w/1-Gang 5/8" Mud Ring	RACO	233 w/768	(2) 1/2", (2) 3/4", (8) 1"	0' - 2 1/4"	0' - 4"	0' - 4"
AV2	4-Square Box w/1-Gang 5/8" Mud Ring	RACO	233 w/768	(2) 1/2", (2) 3/4", (8) 1"	0' - 2 1/4"	0' - 4"	0' - 4"
AV3	NEMA 444 Type 1 Screw Cover Box	WIEGMANN	SC080804NK		0' - 4"	0' - 8"	0' - 8"
AV4	4-Square Box w/1-Gang 5/8" Mud Ring	RACO	233 w/768	(2) 1/2", (2) 3/4", (8) 1"	0' - 2 1/4"	0' - 4"	0' - 4"
AV6	4-Gang Deep AV Box	Hubbell	HBL987	(4) 1/2", (2) 3/4", (8) 1"	0' - 4"	0' - 4 1/4"	0' - 8 1/4"
AV7	4-Square Box w/1-Gang 5/8" Mud Ring	RACO	233 w/768	(2) 1/2", (2) 3/4", (8) 1"	0' - 2 1/4"	0' - 4"	0' - 4"
CAM	4-Square Box w/1-Gang 5/8" Mud Ring	RACO	233 w/768	(2) 1/2", (2) 3/4", (8) 1"	0' - 2 1/4"	0' - 4"	0' - 4"
JB	4-11/16 Square Box w/Flat Cover	RACO	233 w/768	(1) 3/4" on bottom, (1) 3/4" on side	0' - 2 1/4"	0' - 4"	0' - 4"
KP1	4-Square Box w/1-Gang 5/8" Mud Ring	RACO	233 w/768	(2) 1/2", (2) 3/4", (8) 1"	0' - 2 1/4"	0' - 4"	0' - 4"
MIC	4-Square Box w/1-Gang 5/8" Mud Ring	RACO	233 w/768	(2) 1/2", (2) 3/4", (8) 1"	0' - 2 1/4"	0' - 4"	0' - 4"
OCC	4" Octagon Box w/ Blank Cover	RACO	233 w/768	(1) 3/4" on bottom, (1) 3/4" on side	0' - 2 1/4"	0' - 4"	0' - 4"
PAC	CHIEF PAC BACK BOX W/DUPLICATION POWER	CHIEF	PAC326F(X)P2	(4) 1/2"-1-1/4" CKOs on top/bottom, (2) 1/2"-1-1/4" CKOs on sides, (3) Handy-box KO on top/bottom & one side.	0' - 4"	0' - 9"	1' - 2 1/4"
SW	4-Square Box w/1-Gang 5/8" Mud Ring	RACO	233 w/768	(2) 1/2", (2) 3/4", (8) 1"	0' - 2 1/4"	0' - 4"	0' - 4"

3003 Larimer Street
Denver, Colorado 80205
phone 303.861.5704
www.ozarch.com

ANSCHUTZ ENGINEERING CENTER

1420 AUSTIN BLUFFS PKWY
COLORADO SPRINGS, CO 80918

PROJ. NO. 121091.00
DRAWN: K2
CHECKED: EA
APPROVED: KH
DATE: 12/22/2022
REVISIONS:
6 12/22/2022 COB 003

© OZ ARCHITECTURE

ANSCHUTZ ENGINEERING CENTER
ISSUED FOR:
100% CD Modifications

SHEET TITLE:
AUDIOVISUAL COVER SHEET

SCALE: As Indicated
SHEET NUMBER

TA-001



3003 Larimer Street
Denver, Colorado 80205
phone 303.861.5704
www.ozarch.com

ANSCHUTZ ENGINEERING CENTER
1420 AUSTIN BLUFFS PKWY
COLORADO SPRINGS, CO 80918

PROJ. NO: 121091.00
DRAWN: K2
CHECKED: EA
APPROVED: KH
DATE: 12/22/2022
REVISIONS:
6 12/22/2022 C08 003

© OZ ARCHITECTURE

ANSCHUTZ ENGINEERING CENTER
ISSUED FOR:
100% CD Modifications

SHEET TITLE:
LEVEL 1 FLOOR PLAN &
RCP - AUDIOVISUAL

SCALE: As Indicated
SHEET NUMBER

TA-101

TA SHEET NOTES

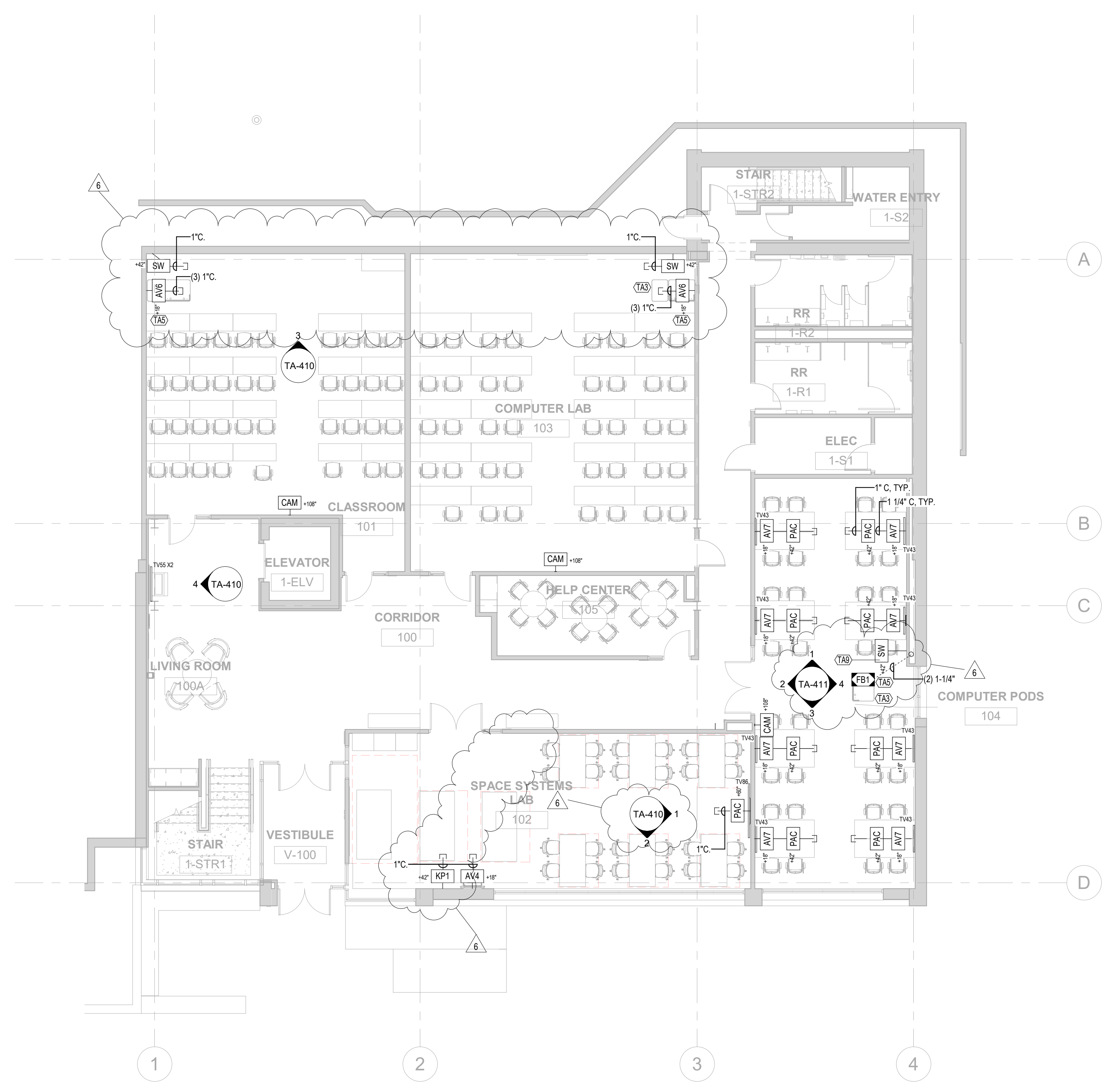
- STRUCTURED CABLING SCOPE QUANTITIES AND LOCATIONS ARE DEFINED ON TA## REFER TO TN DRAWINGS FOR DATA HOME RUN DESTINATIONS.

KEYNOTE LEGEND

ID	DESCRIPTION
TA2	CEILING MOUNTED PROJECTOR.
TA5	6-GANG COMBINATION FLOOR BOX - AV/ DATA/ POWER/
TA9	COLOCATE SCREEN CONTROL SWITCHES FOR BOTH PROJECTION SCREENS.



2 LEVEL 1 REFLECTED CEILING PLAN - AUDIOVISUAL
1/8" = 1'-0"



1 LEVEL 1 FLOOR PLAN - AUDIOVISUAL
1/8" = 1'-0"

12/21/2022 12:25:58 PM BIM 360://121091.00 Anschutz Engineering Center/K2 UC/C3 Engineering Expansion_R01_T1.rvt



3003 Larimer Street
Denver, Colorado 80205
phone 303.861.5704
www.ozarch.com

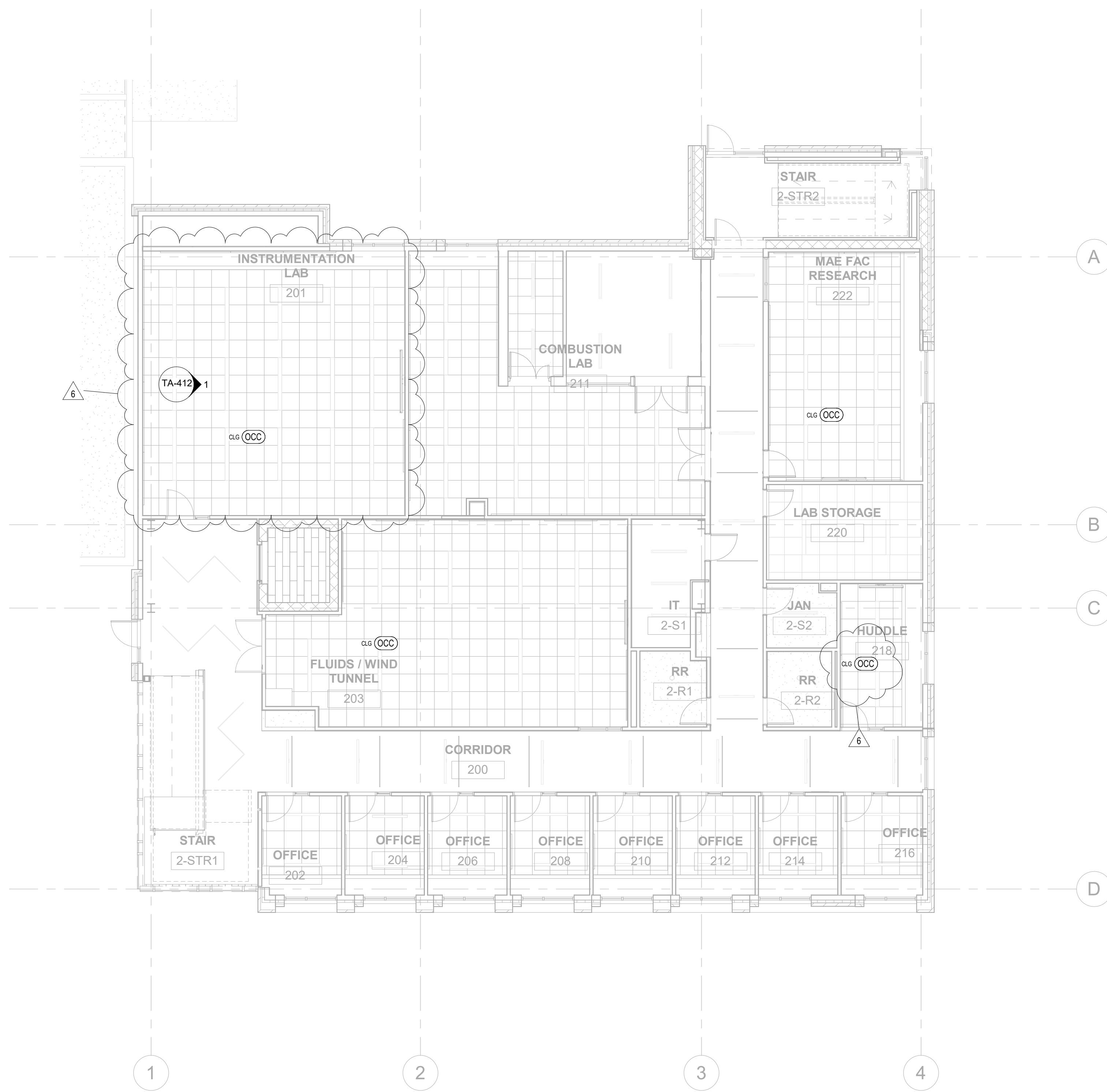
TA SHEET NOTES

1. STRUCTURED CABLING SCOPE QUANTITIES AND LOCATIONS ARE DEFINED ON TA## REFER TO TN DRAWINGS FOR DATA HOME RUN DESTINATIONS.

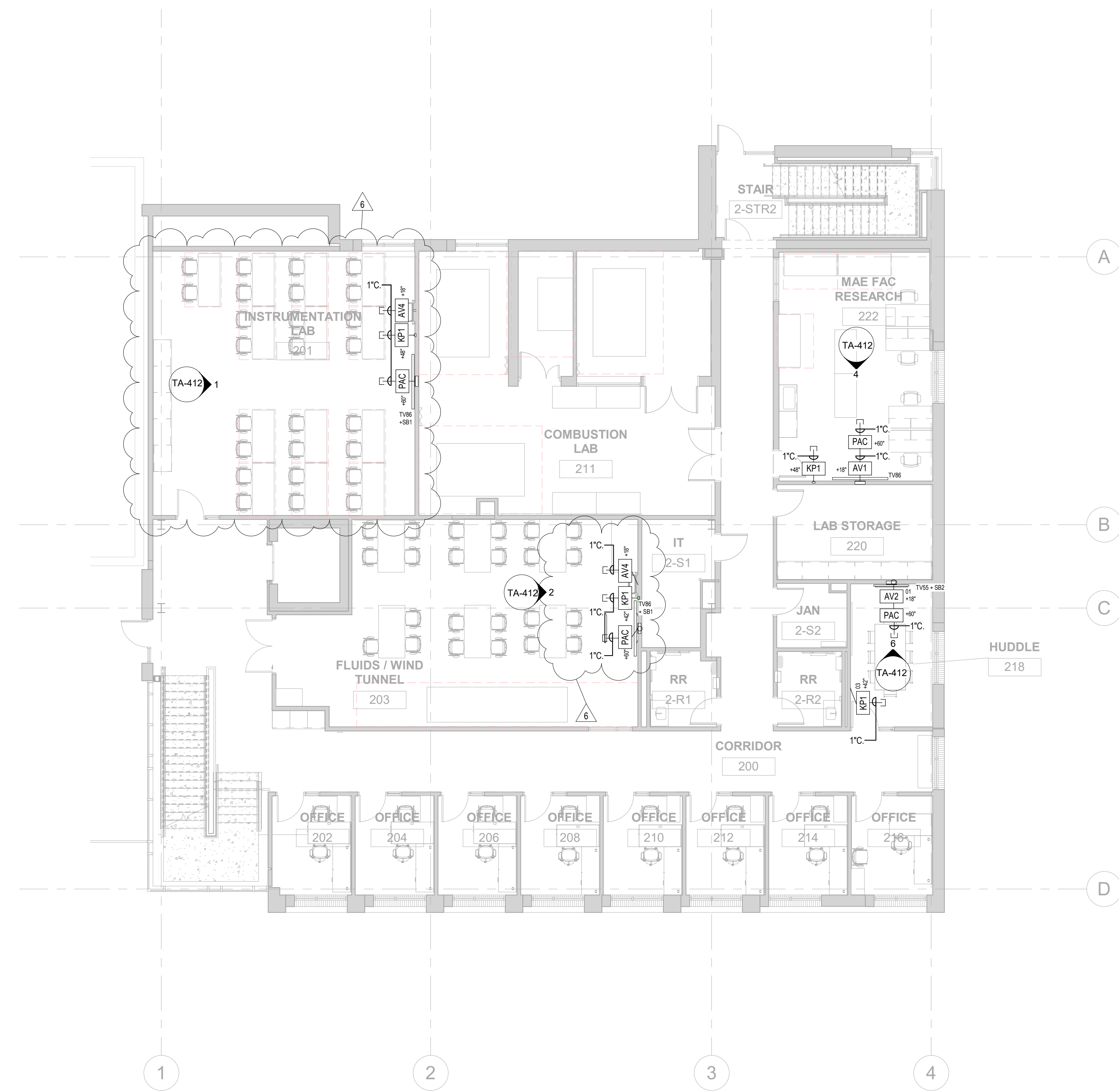
KEYNOTE LEGEND

ID	DESCRIPTION
----	-------------

ANSCHUTZ ENGINEERING CENTER
1420 AUSTIN BLUFFS PKWY
COLORADO SPRINGS, CO 80918



2 LEVEL 2 REFLECTED CEILING PLAN - AUDIOVISUAL
1/8" = 1'-0"



1 LEVEL 2 FLOOR PLAN - AUDIOVISUAL
1/8" = 1'-0"

PROJ. NO. 121091.00
DRAWN: K2
CHECKED: EA
APPROVED: KH
DATE: 12/22/2022
REVISIONS:
6 12/22/2022 C08 003

© OZ ARCHITECTURE

ANSCHUTZ ENGINEERING CENTER
ISSUED FOR:
100% CD Modifications

SHEET TITLE:
LEVEL 2 FLOOR PLAN &
RCP - AUDIOVISUAL

SCALE: As indicated
SHEET NUMBER

TA-102



3003 Larimer Street
Denver, Colorado 80205
phone 303.861.5704
www.ozarch.com

TA SHEET NOTES

1. STRUCTURED CABLING SCOPE QUANTITIES AND LOCATIONS ARE DEFINED ON TA## REFER TO TN DRAWINGS FOR DATA HOME RUN DESTINATIONS.

KEYNOTE LEGEND

ID	DESCRIPTION
TA6	AV EQUIPMENT RACK MOUNTED IN CABINET.

ANSCHUTZ ENGINEERING CENTER
1420 AUSTIN BLUFFS PKWY
COLORADO SPRINGS, CO 80918

PROJ. NO. 121091.00
DRAWN: K2
CHECKED: EA
APPROVED: KH
DATE: 12/22/2022
REVISIONS:
6 12/22/2022 C08 003

© OZ ARCHITECTURE

ANSCHUTZ ENGINEERING CENTER
ISSUED FOR:
100% CD Modifications

SHEET TITLE:
LEVEL 3 FLOOR PLAN &
RCP - LAB BLDG -
AUDIOVISUAL
SCALE: As indicated
SHEET NUMBER

TA-103A



2 LEVEL 3 REFLECTED CEILING PLAN - AUDIOVISUAL
1/8" = 1'-0"

1 LEVEL 3 FLOOR PLAN - AUDIOVISUAL
1/8" = 1'-0"

B:\360\121091.00 Anschutz Engineering Center\K2_UCCS3 Engineering Expansion_Rc1_T1.dwg
12/22/2022 2:30:46 PM



3003 Larimer Street
 Denver, Colorado 80205
 phone 303.861.5704
 www.ozarch.com

TA SHEET NOTES

- STRUCTURED CABLING SCOPE QUANTITIES AND LOCATIONS ARE DEFINED ON TA## REFER TO TN DRAWINGS FOR DATA HOME RUN DESTINATIONS.

KEYNOTE LEGEND

ID	DESCRIPTION
TA5	6-GANG COMBINATION FLOOR BOX - AV / DATA / POWER.

ANSCHUTZ ENGINEERING CENTER
 1420 AUSTIN BLUFFS PKWY
 COLORADO SPRINGS, CO 80918

PROJ. NO. 121091.00
 DRAWN: K2
 CHECKED: EA
 APPROVED: KH
 DATE: 12/22/2022
 REVISIONS:
 6 12/22/2022 C08 003

© OZ ARCHITECTURE

ANSCHUTZ ENGINEERING CENTER
 ISSUED FOR:
 100% CD Modifications

SHEET TITLE:
 LEVEL 3 FLOOR PLAN &
 RCP - SHOP BLDG -
 AUDIOVISUAL
 SCALE: As indicated
 SHEET NUMBER

TA-103B



2 LEVEL 3 SHOP BUILDING REFLECTED CEILING PLAN - AUDIOVISUAL
 1/8" = 1'-0"



1 LEVEL 3 FLOOR PLAN - SHOP AUDIOVISUAL
 1/8" = 1'-0"



3003 Larimer Street
 Denver, Colorado 80205
 phone 303.861.5704
 www.ozarch.com

ANSCHUTZ ENGINEERING CENTER
 1420 AUSTIN BLUFFS PKWY
 COLORADO SPRINGS, CO 80918

PROJ. NO. 121091.00
 DRAWN: K2
 CHECKED: EA
 APPROVED: KH
 DATE: 12/22/2022
 REVISIONS:
 6 12/22/2022 C08 003

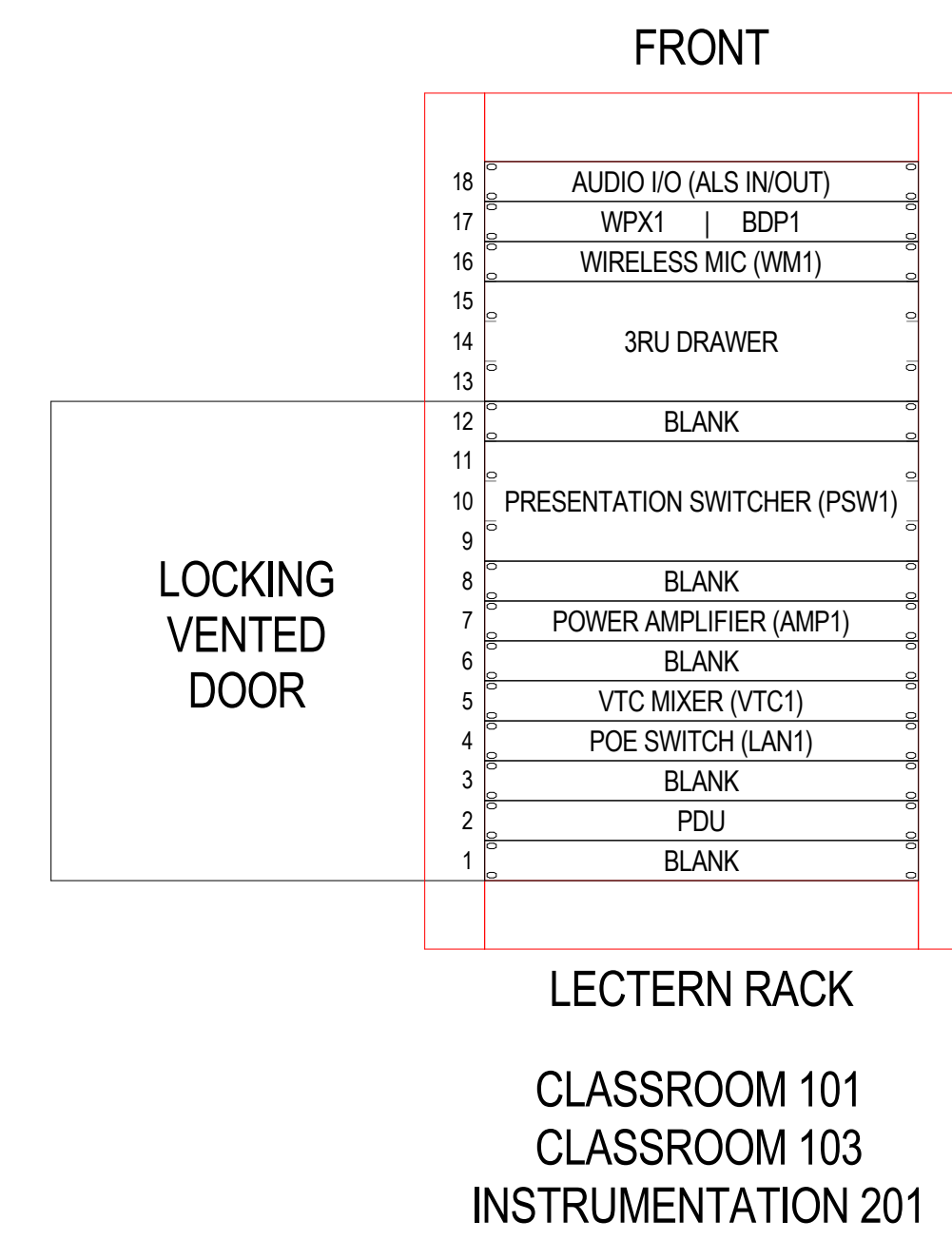
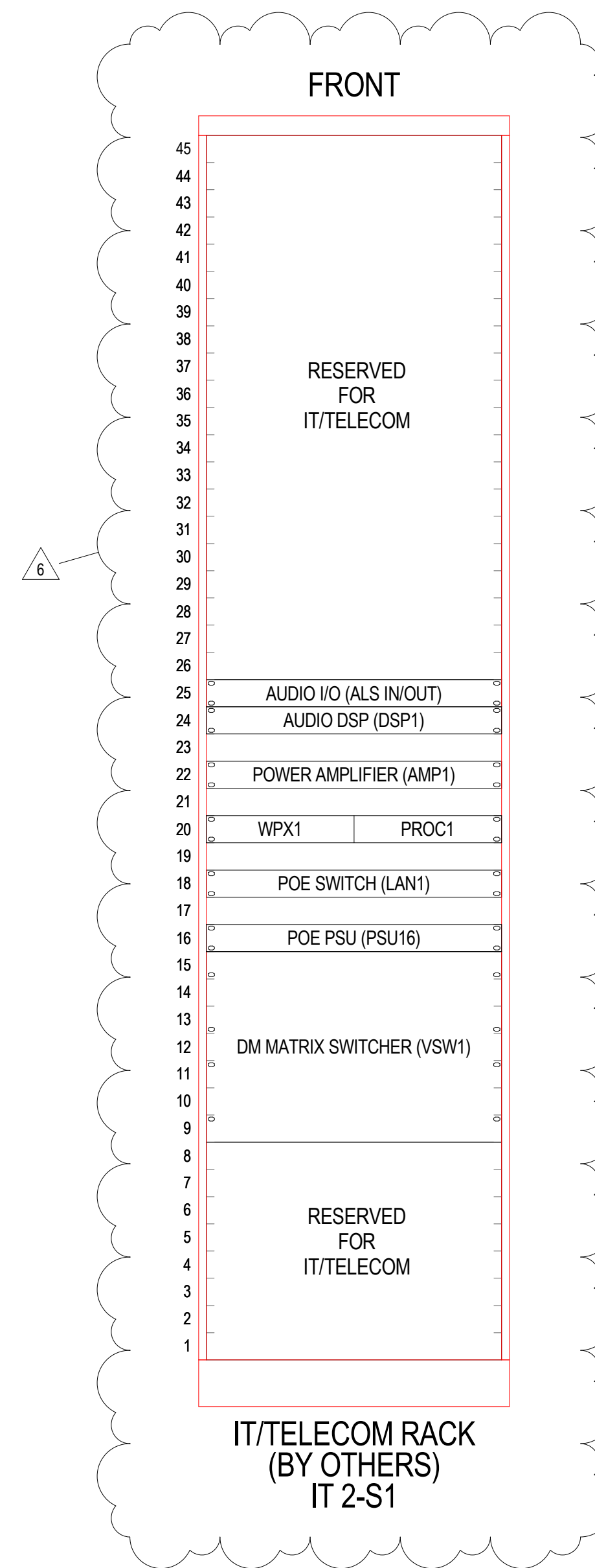
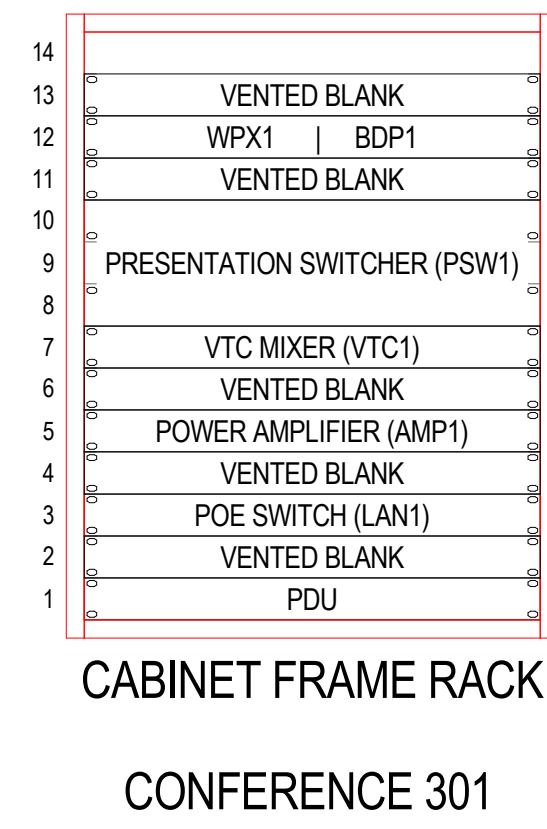
© OZ ARCHITECTURE

ANSCHUTZ ENGINEERING CENTER
 ISSUED FOR:
 100% CD Modifications

SHEET TITLE:
 AUDIOVISUAL ENLARGED DRAWINGS

SCALE: 1 1/2" = 1'-0"
 SHEET NUMBER

TA-401



1 AUDIOVISUAL RACK ELEVATIONS
 1 1/2" = 1'-0"



3003 Larimer Street
Denver, Colorado 80205
phone 303.861.5704
www.ozarch.com

ANSCHUTZ ENGINEERING CENTER
1420 AUSTIN BLUFFS PKWY
COLORADO SPRINGS, CO 80918

PROJ. NO: 121091.00
DRAWN: K2
CHECKED: EA
APPROVED: KH
DATE: 12/22/2022
REVISIONS:
6 12/22/2022 C08 003

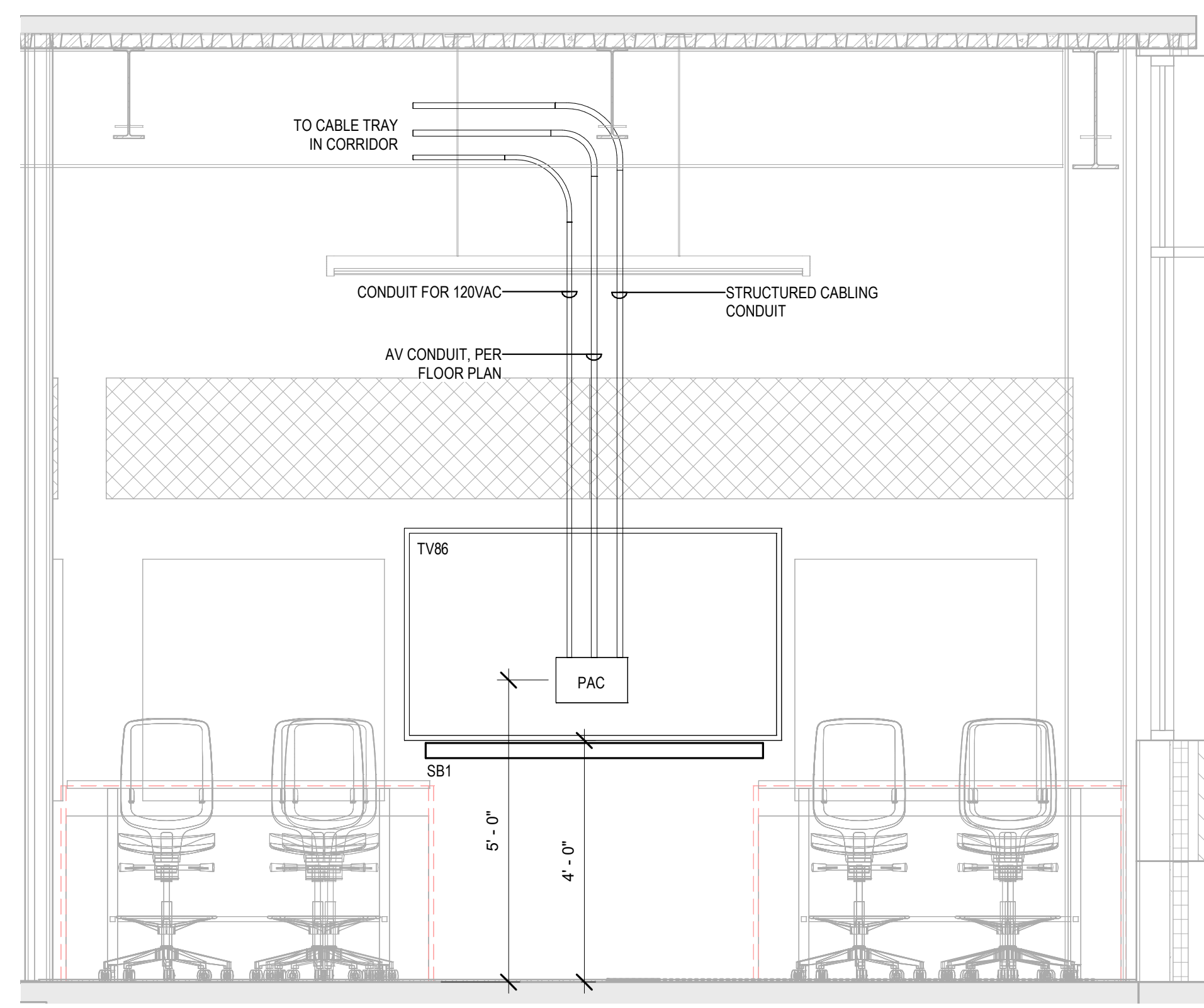
© OZ ARCHITECTURE

ANSCHUTZ ENGINEERING CENTER
ISSUED FOR:
100% CD Modifications

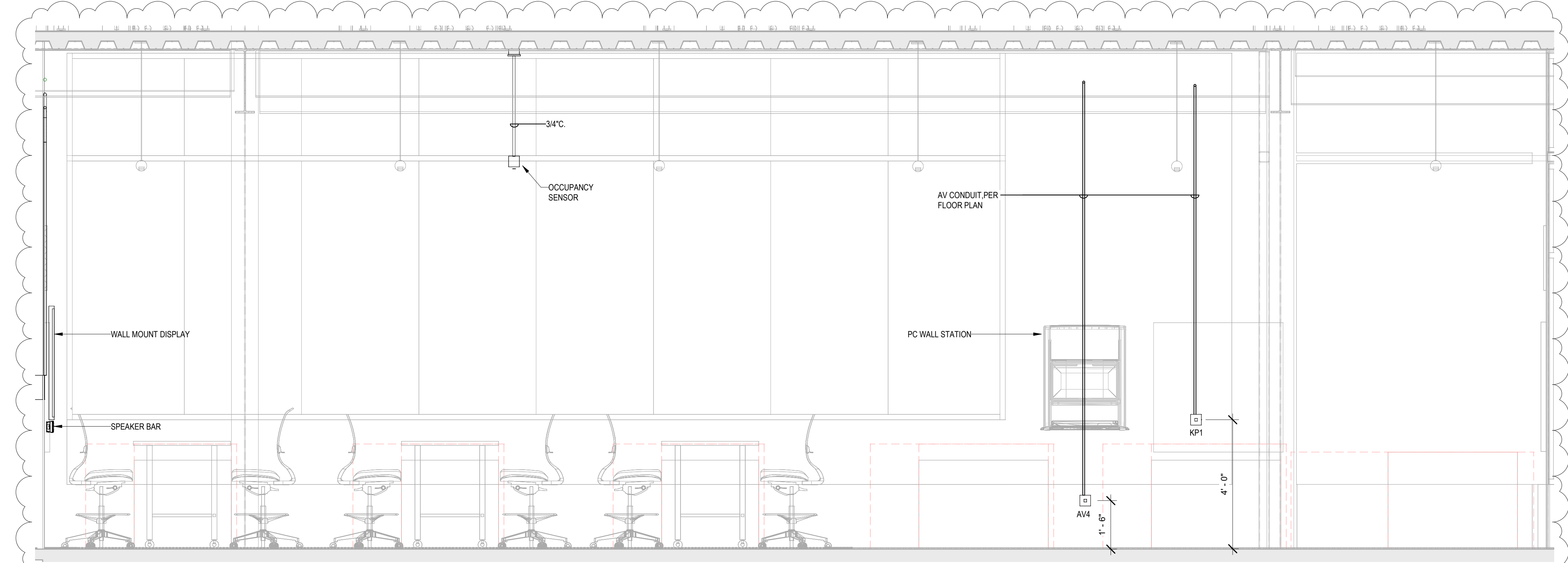
SHEET TITLE:
AUDIOVISUAL ELEVATIONS

SCALE: 1/2" = 1'-0"
SHEET NUMBER

TA-410



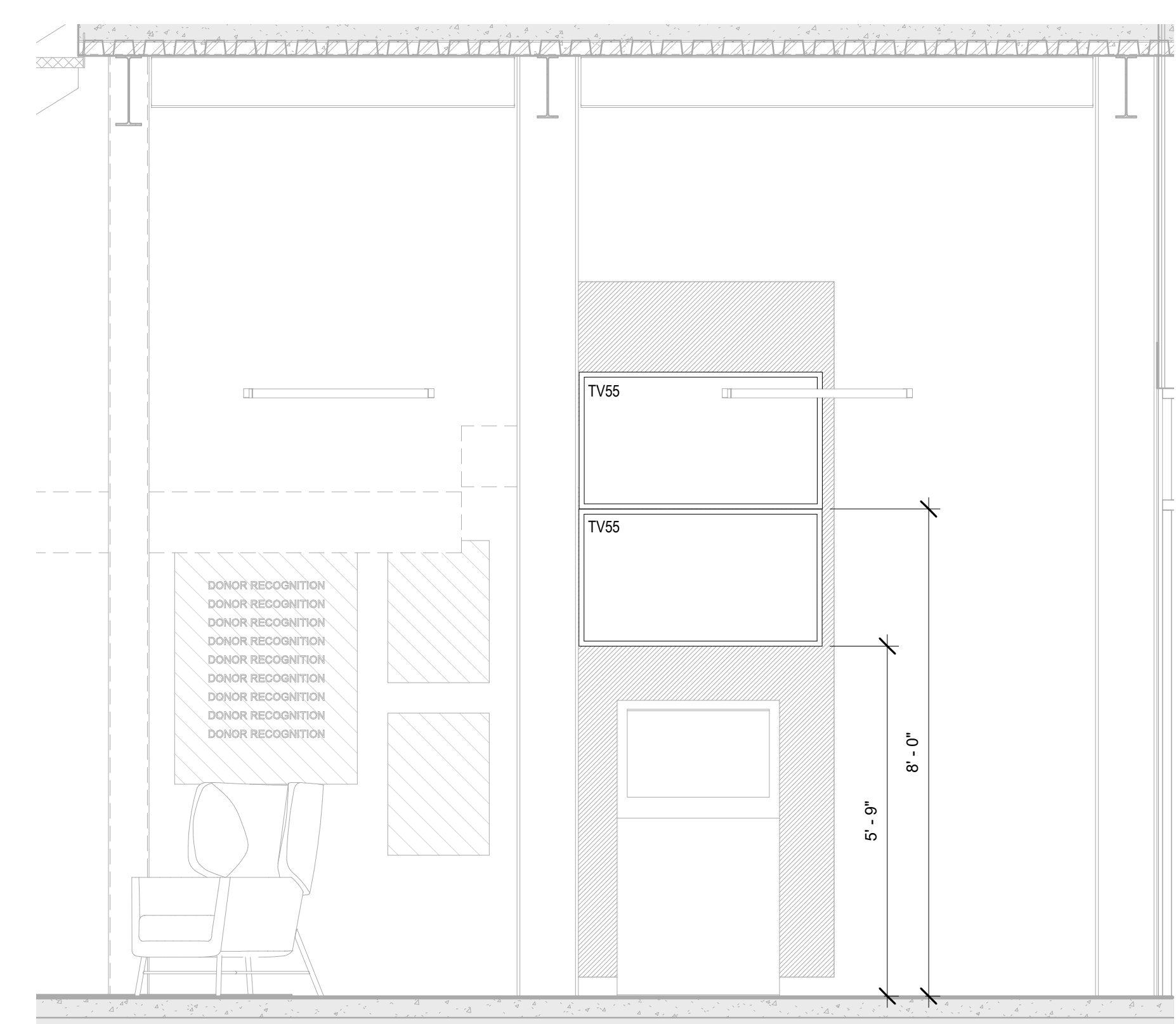
1 LEVEL 1 - SPACE SYSTEMS 102 - EAST ELEVATION
1/2" = 1'-0"



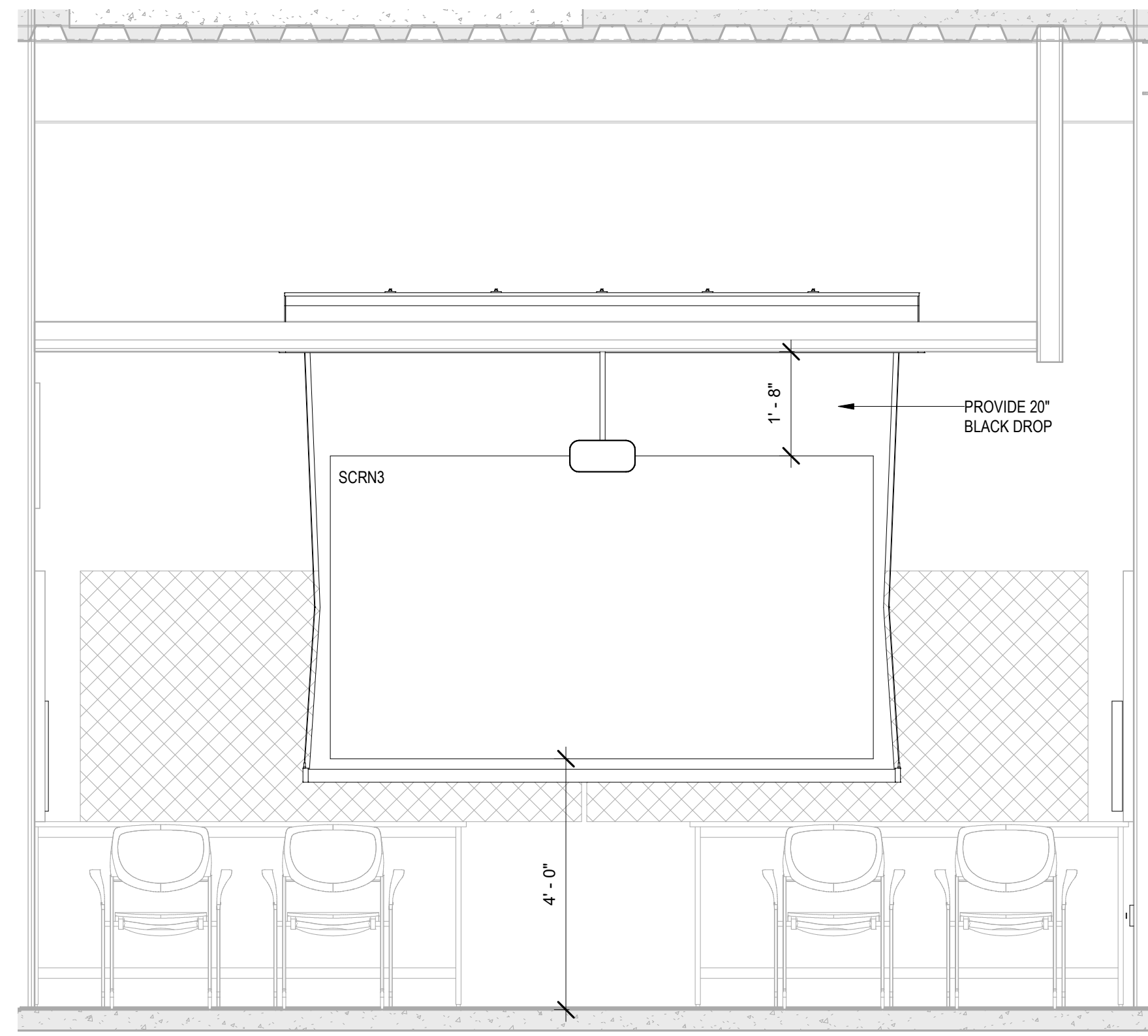
2 LEVEL 1 - SPACE SYSTEMS 102 - SOUTH ELEVATION
1/2" = 1'-0"



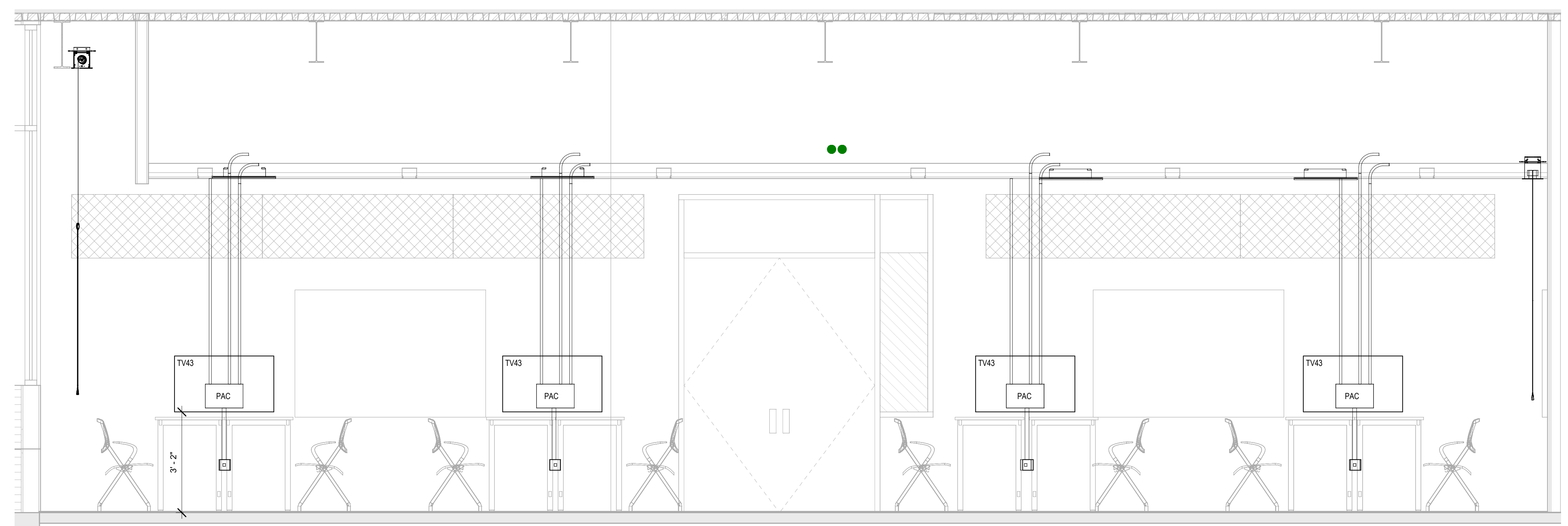
3 LEVEL 1 - CLASSROOM 101 & 102 - NORTH ELEVATION
1/2" = 1'-0"



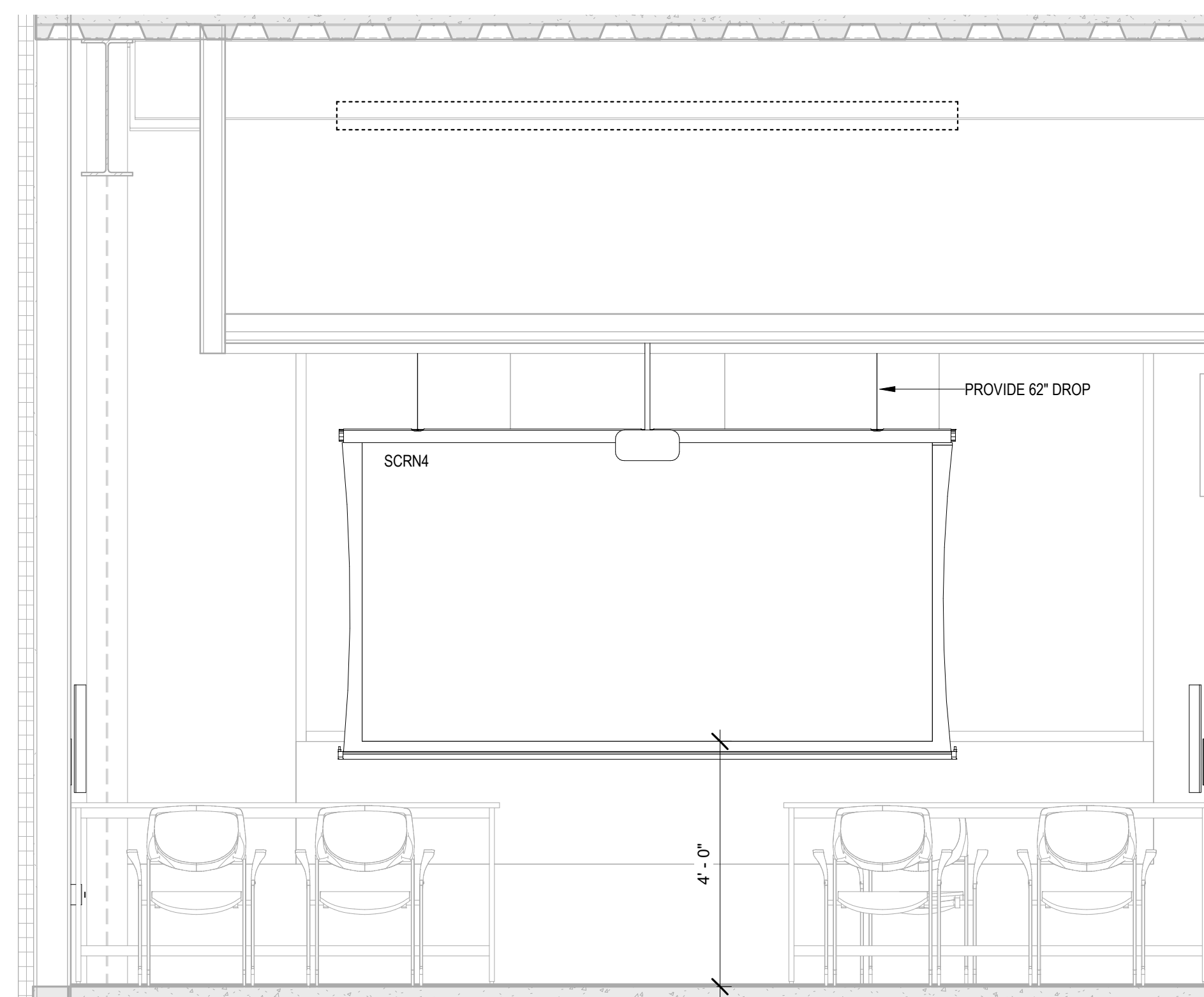
4 LEVEL 1 - LIVING ROOM 100A - WEST ELEVATION
1/2" = 1'-0"



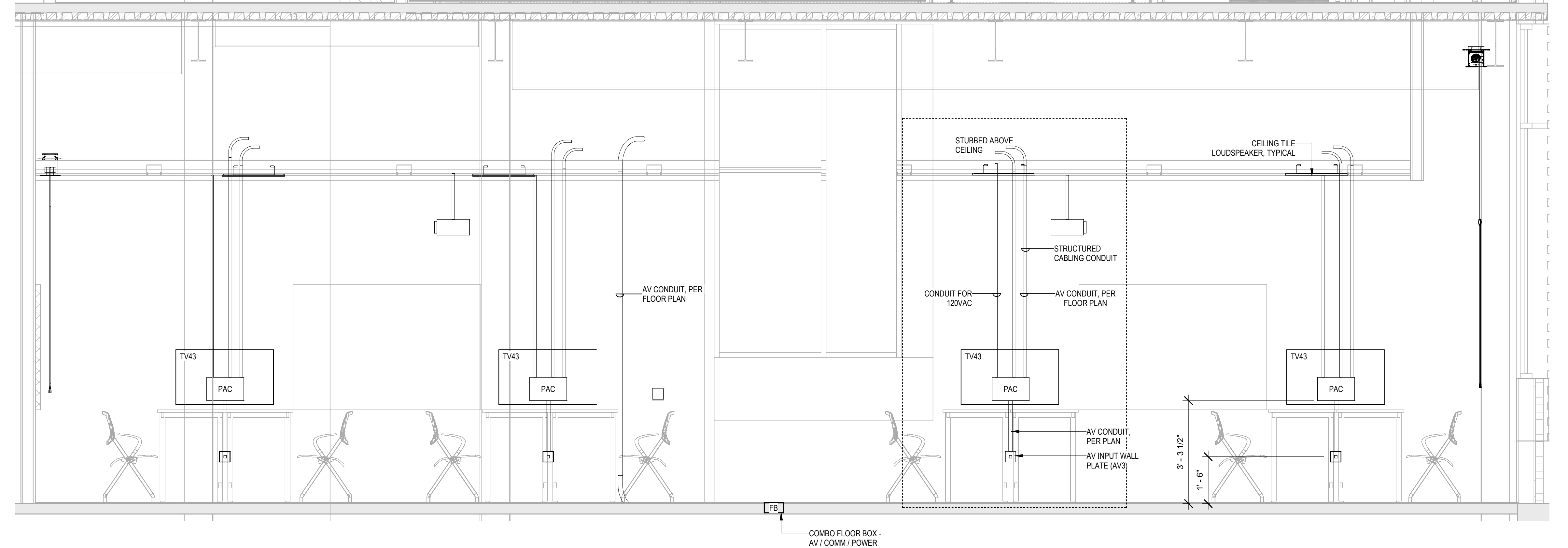
1 LEVEL 1 - COMPUTER PODS 104 - NORTH ELEVATION
1/2" = 1'-0"



2 LEVEL 1 - COMPUTER PODS 104 - WEST ELEVATION
1/2" = 1'-0"



3 LEVEL 1 - COMPUTER PODS 104 - SOUTH ELEVATION
1/2" = 1'-0"



4 LEVEL 1 - COMPUTER PODS 104 - EAST ELEVATION
1/2" = 1'-0"



3003 Larimer Street
 Denver, Colorado 80205
 phone 303.861.5704
 www.ozarch.com

ANSCHUTZ ENGINEERING CENTER
 1420 AUSTIN BLUFFS PKWY
 COLORADO SPRINGS, CO 80918

PROJ. NO. 121091.00
 DRAWN: K2
 CHECKED: EA
 APPROVED: KH
 DATE: 12/22/2022
 REVISIONS:
 6 12/22/2022 C08 003

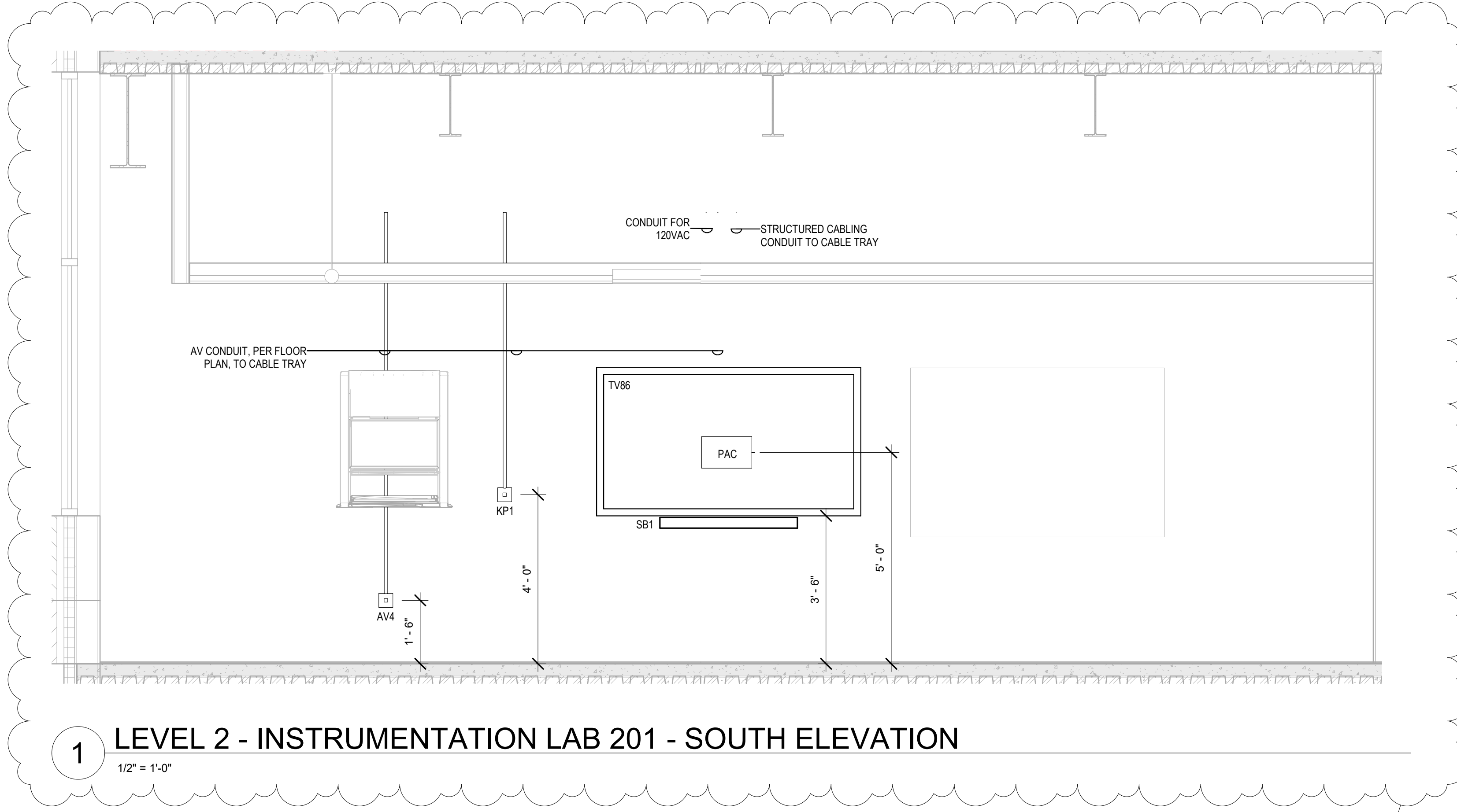
© OZ ARCHITECTURE

ANSCHUTZ ENGINEERING CENTER
 ISSUED FOR:
 100% CD Modifications

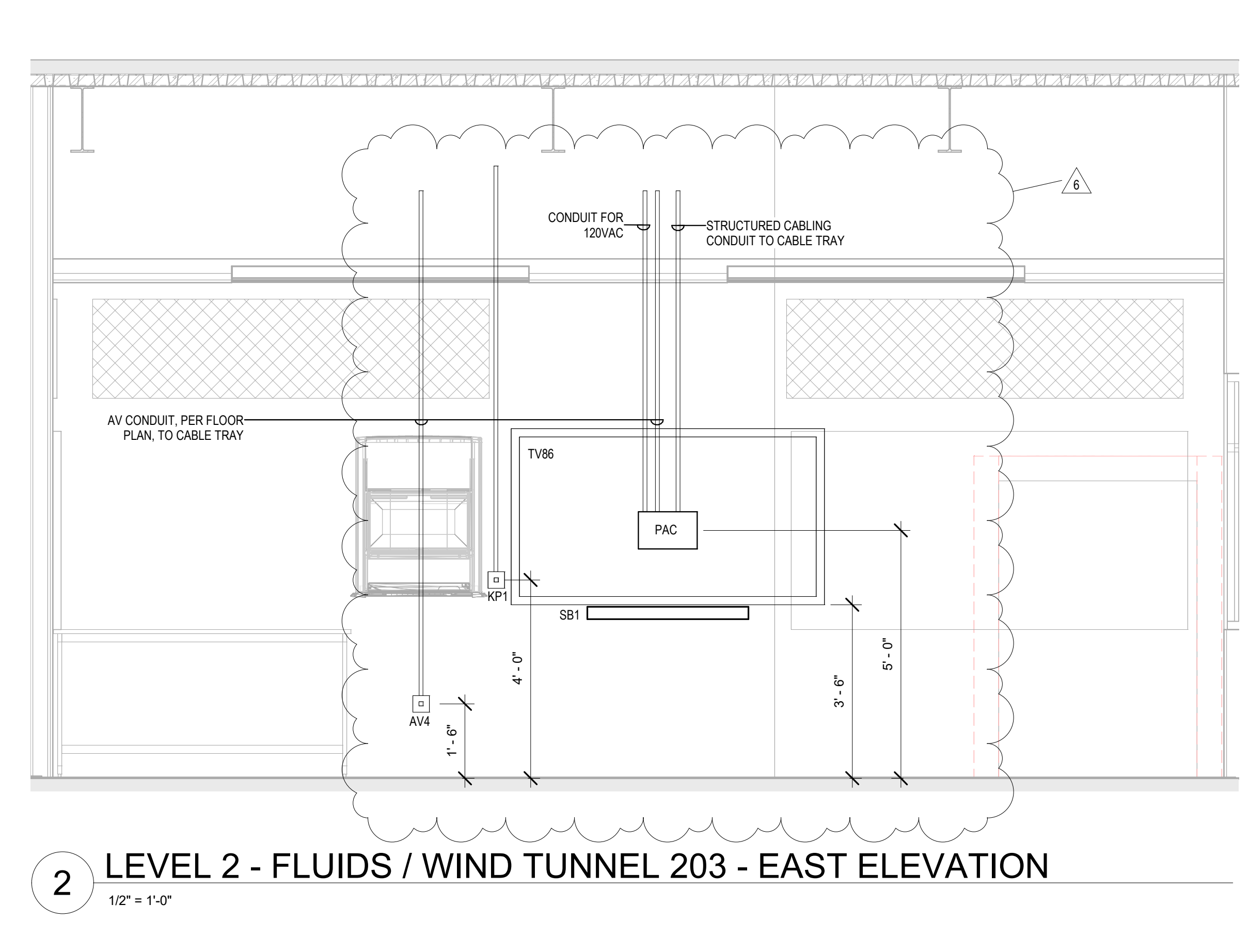
SHEET TITLE:
 AUDIOVISUAL ELEVATIONS

SCALE: 1/2" = 1'-0"
 SHEET NUMBER

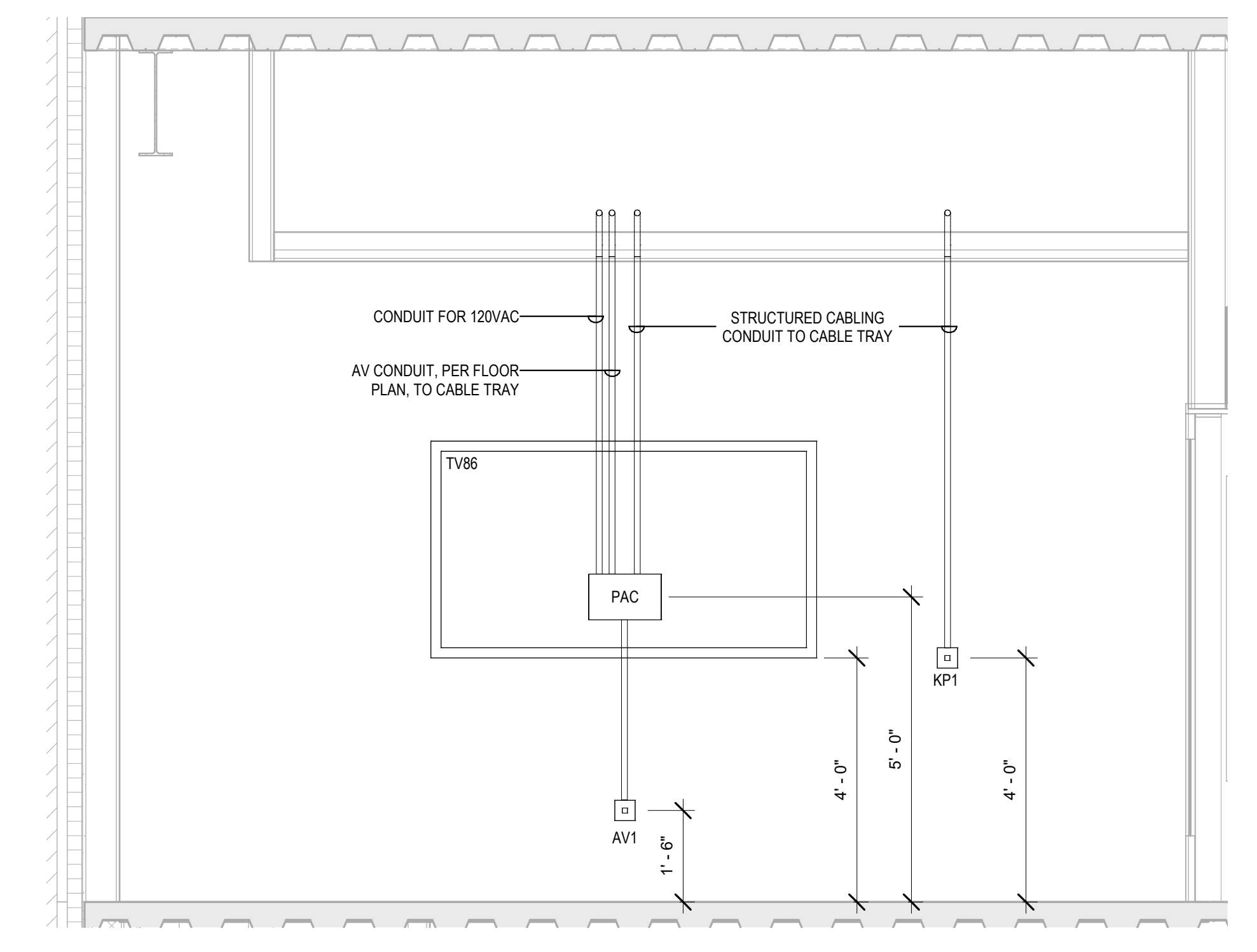
TA-412



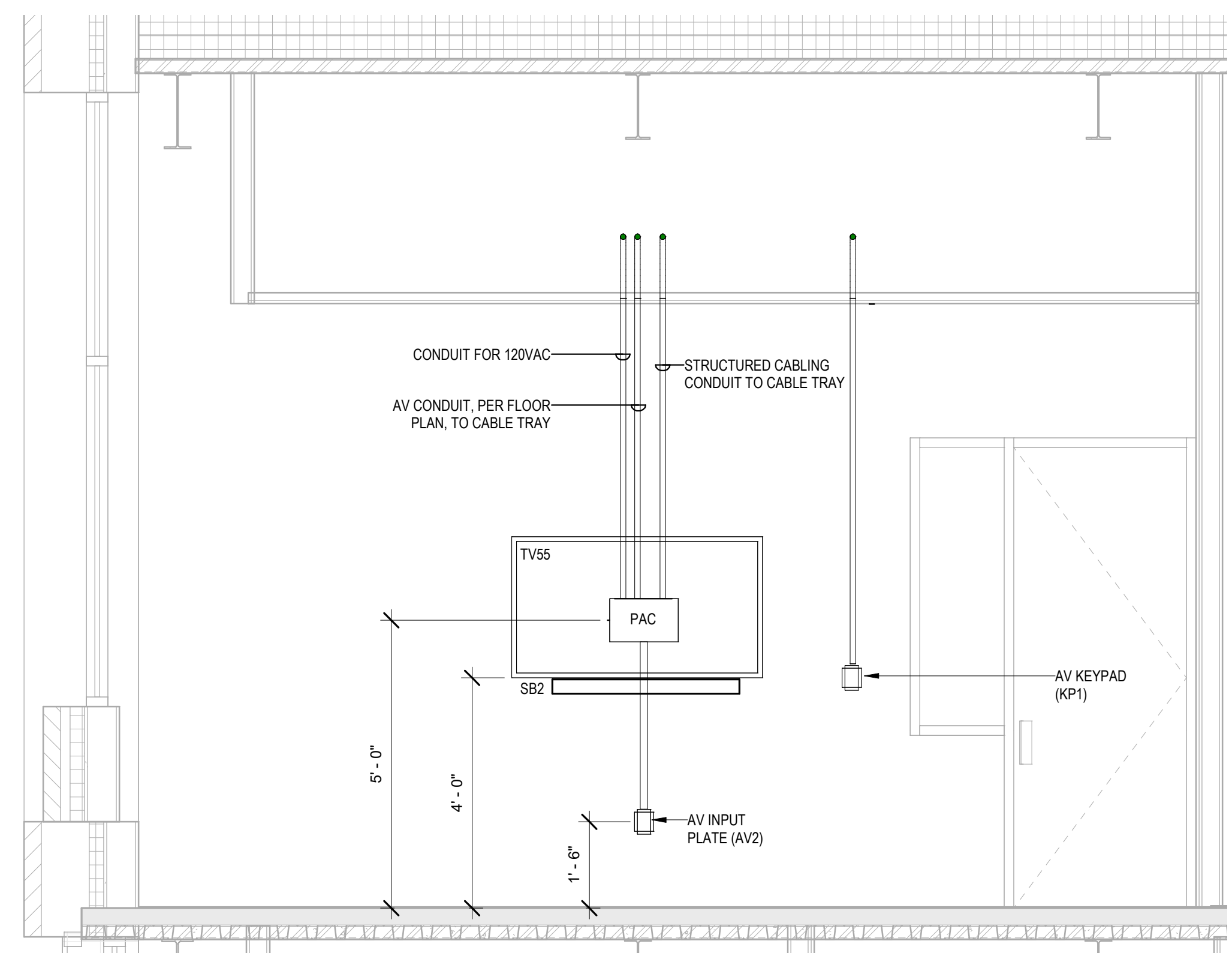
1 LEVEL 2 - INSTRUMENTATION LAB 201 - SOUTH ELEVATION
 1/2" = 1'-0"



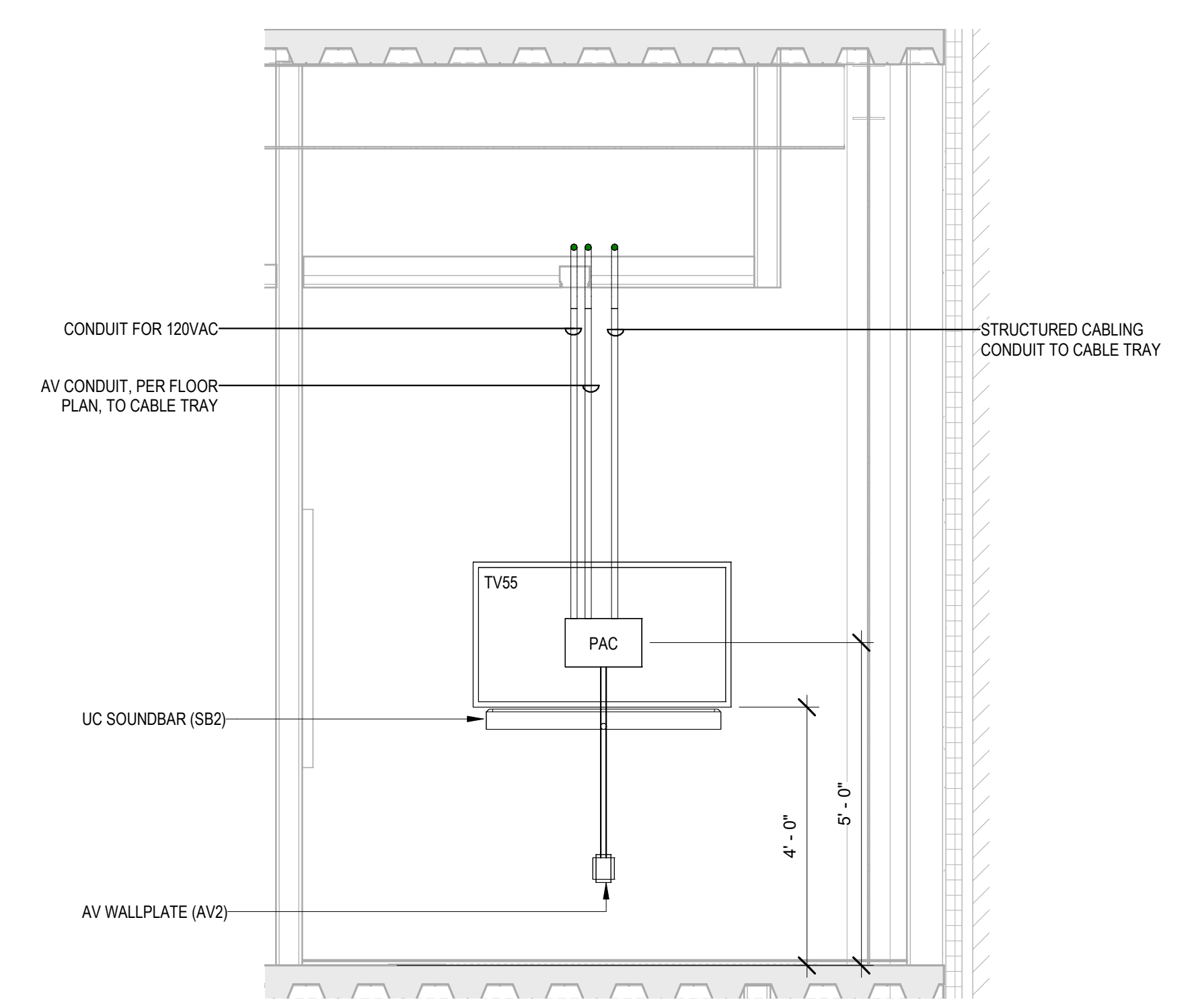
2 LEVEL 2 - FLUIDS / WIND TUNNEL 203 - EAST ELEVATION
 1/2" = 1'-0"



4 TYPICA MAE FAC RESEARCH - DISPLAY WALL ELEVATION
 1/2" = 1'-0"



5 LEVEL 3 - HUDDLE 312 - WEST ELEVATION
 1/2" = 1'-0"



6 LEVEL 2 - HUDDLE 218 - NORTH ELEVATION
 1/2" = 1'-0"



3003 Larimer Street
 Denver, Colorado 80205
 phone 303.861.5704
 www.ozarch.com

ANSCHUTZ ENGINEERING CENTER
 1420 AUSTIN BLUFFS PKWY
 COLORADO SPRINGS, CO 80918

PROJ. NO. 121091.00
 DRAWN: K2
 CHECKED: EA
 APPROVED: KH
 DATE: 12/22/2022
 REVISIONS:
 6 12/22/2022 C08 003

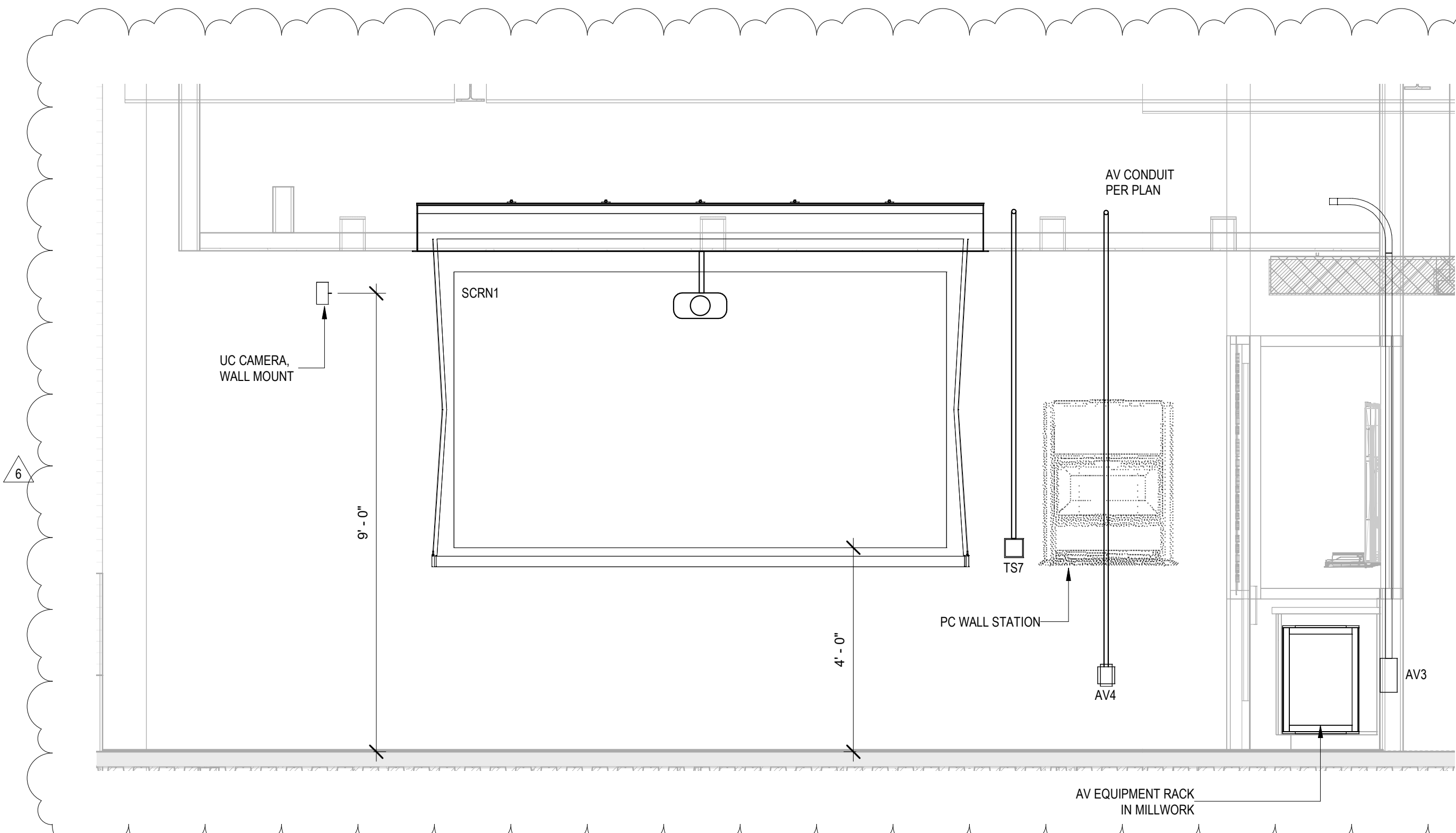
© OZ ARCHITECTURE

ANSCHUTZ ENGINEERING CENTER
 ISSUED FOR:
 100% CD Modifications

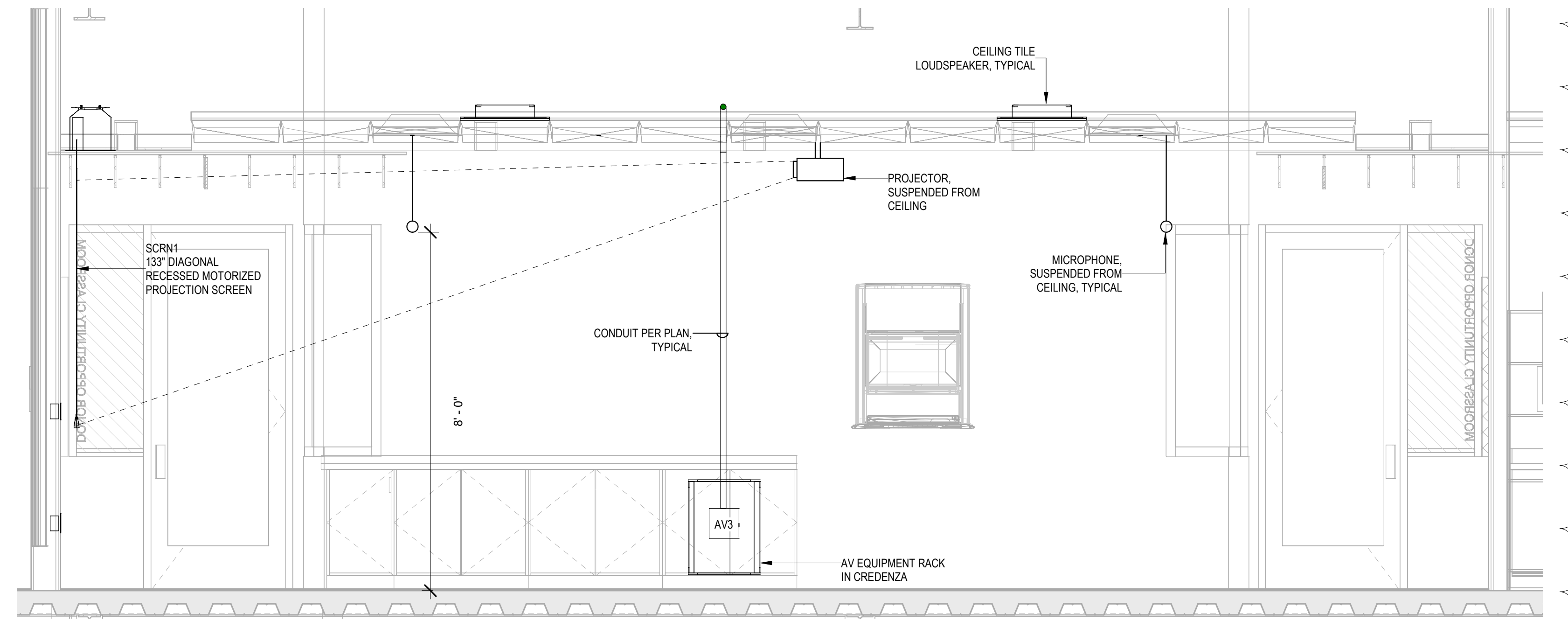
SHEET TITLE:
 AUDIOVISUAL ELEVATIONS

SCALE: 1/2" = 1'-0"
 SHEET NUMBER

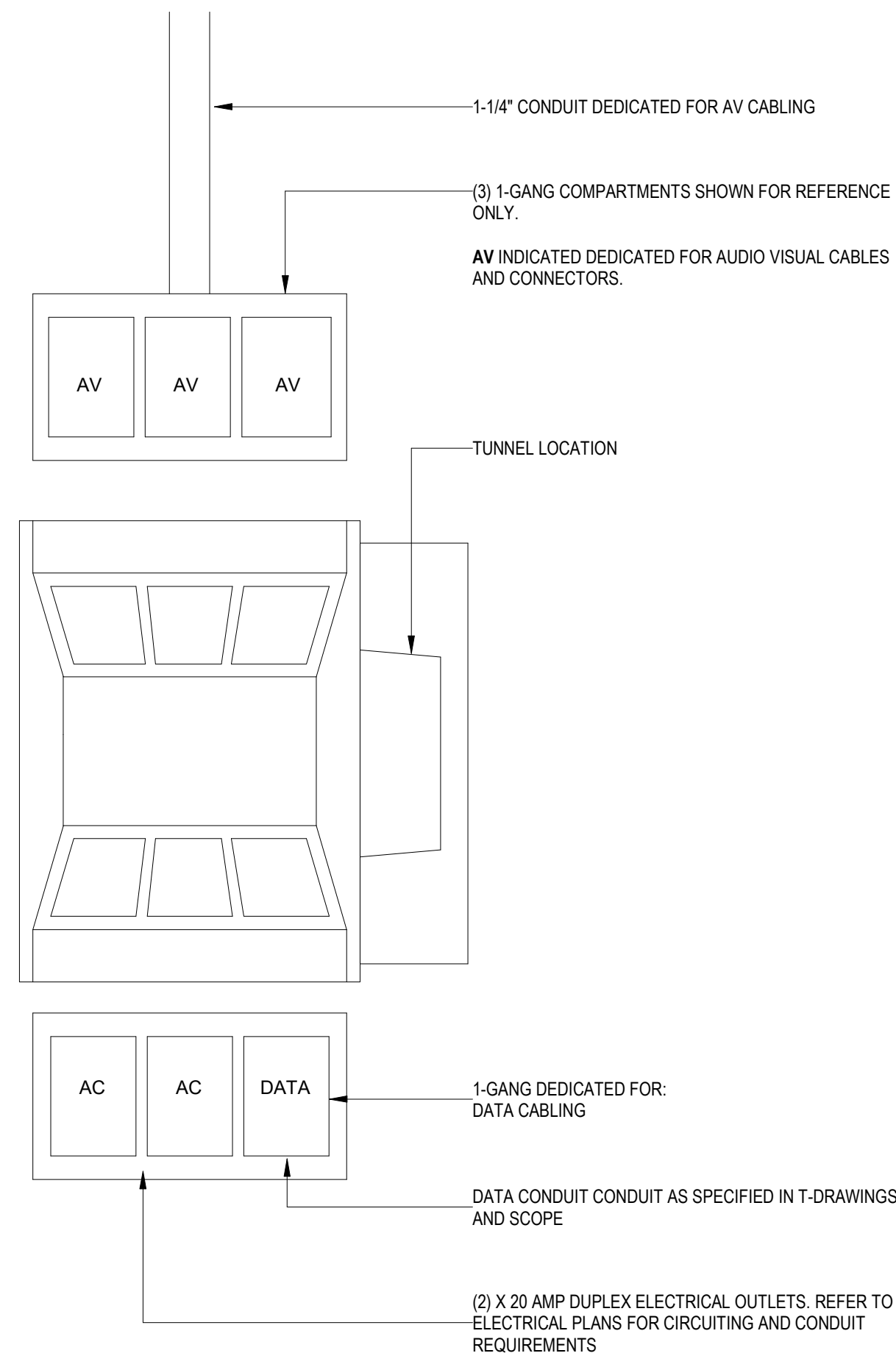
TA-413



1 LEVEL 3 - CONFERENCE ROOM 302 - WEST ELEVATION
 1/2" = 1'-0"



2 LEVEL 3 - CONFERENCE ROOM 302 - NORTH ELEVATION
 1/2" = 1'-0"



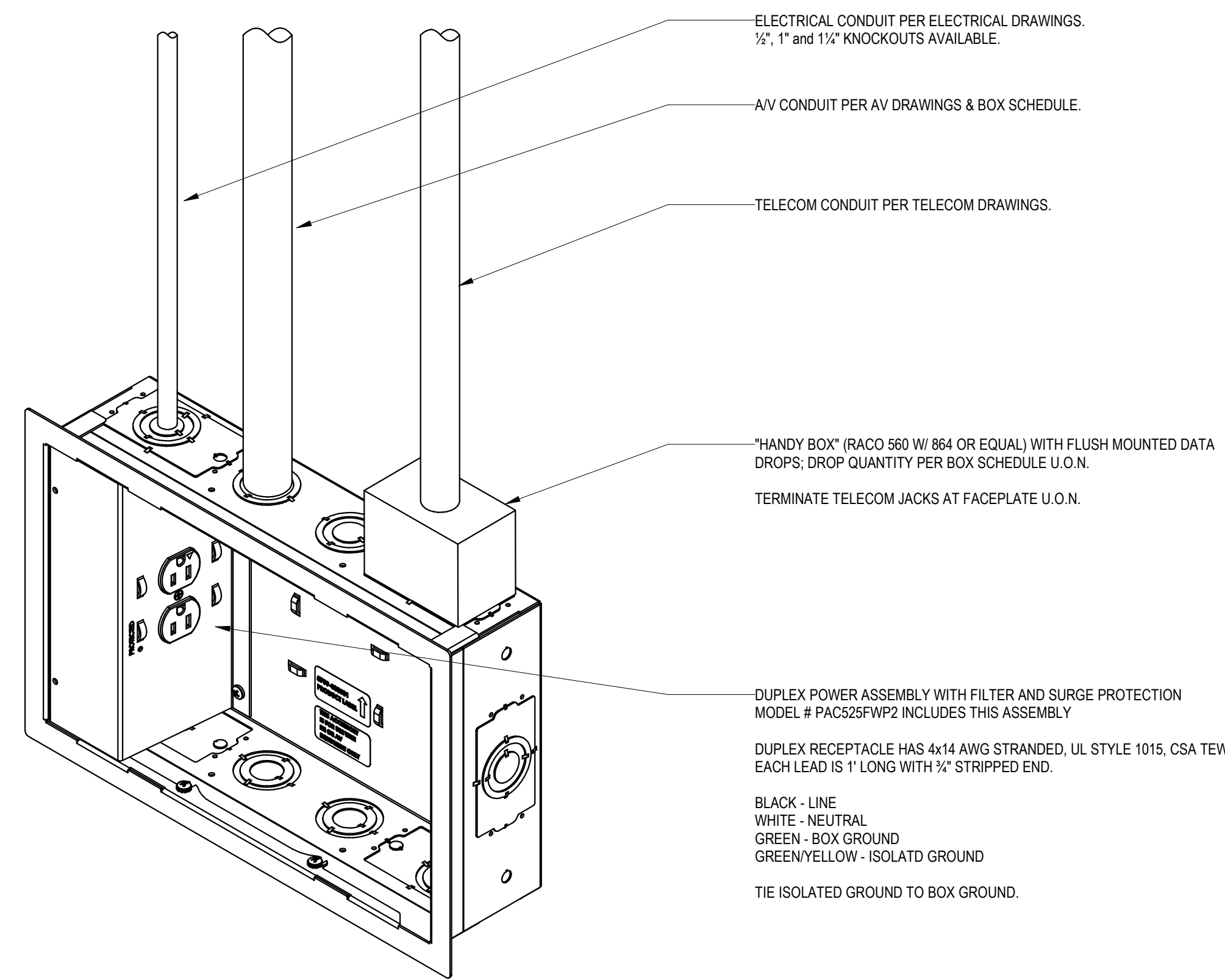
GENERAL NOTES

- A. ALL LOW VOLTAGE CONDUITS TO BE ROUTED TO NEAREST ACCESSIBLE CEILING SPACE / CABLE TRAY. USE MOST DIRECT ROUTE POSSIBLE. PROVIDE FIRESTOPPING AS REQUIRED FOR ALL PENETRATIONS.
- B. ALL LOW VOLTAGE CONDUITS TO BE SUPPLIED WITH NYLON BUSHING AND PULL STRING.
- C. PROVIDE CLEAR PERMANENT MARKING WITHIN UNFINISHED PORTION OF FLOOR BOX TO IDENTIFY WHETHER GANG IS RESERVED FOR AV, IT OR POWER.

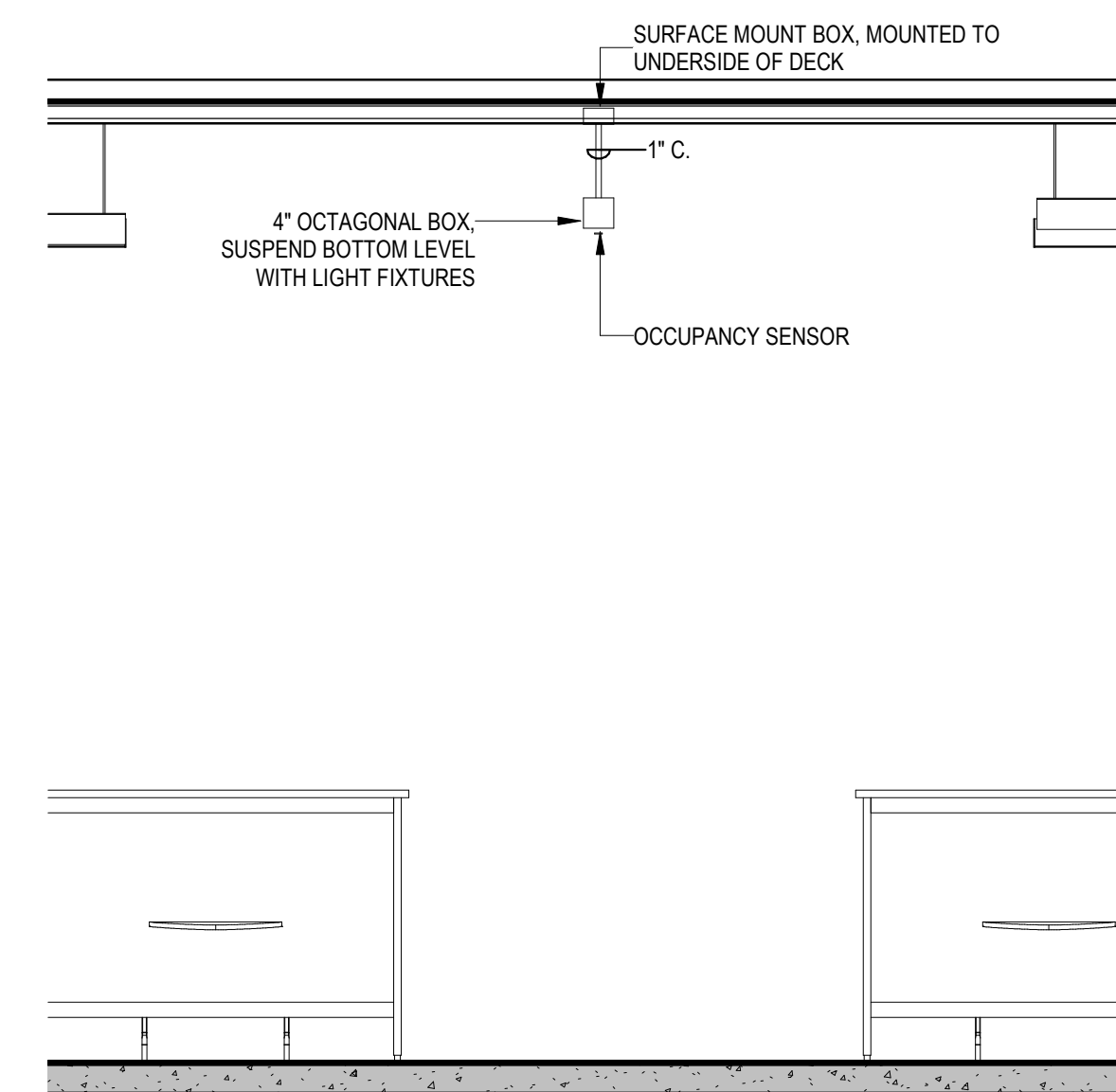
1 WIREMOLD EFB6S-OG FLOOR BOX COORDINATION DIAGRAM (FB1, FB3)
NTS



2 NOT USED
NTS



3 CHIEF PAC525FWP2 TV BACKBOX DETAIL
1:3



4 OCC HANGING CONDUIT MOUNT
NTS



3003 Larimer Street
Denver, Colorado 80205
phone 303.861.5704
www.ozarch.com

ANSCHUTZ ENGINEERING CENTER
1420 AUSTIN BLUFFS PKWY
COLORADO SPRINGS, CO 80918

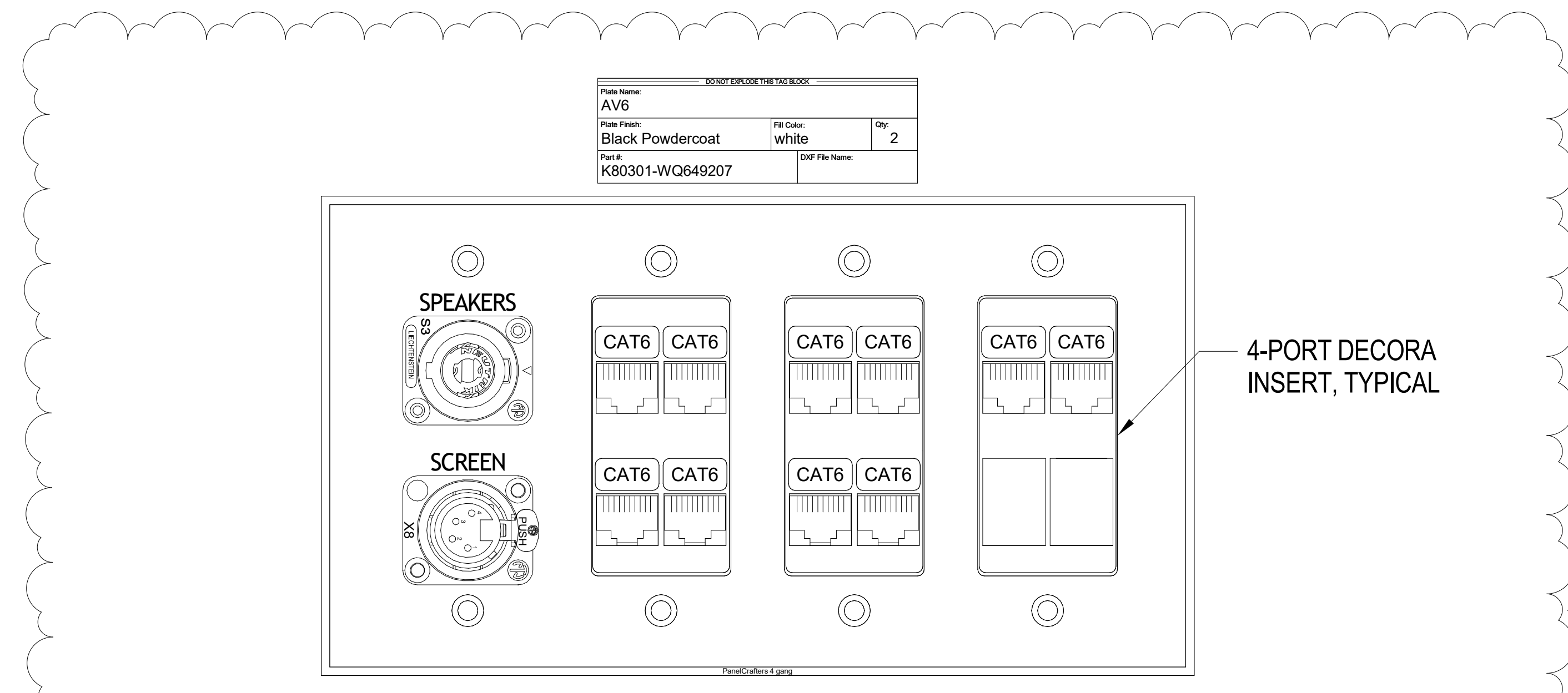
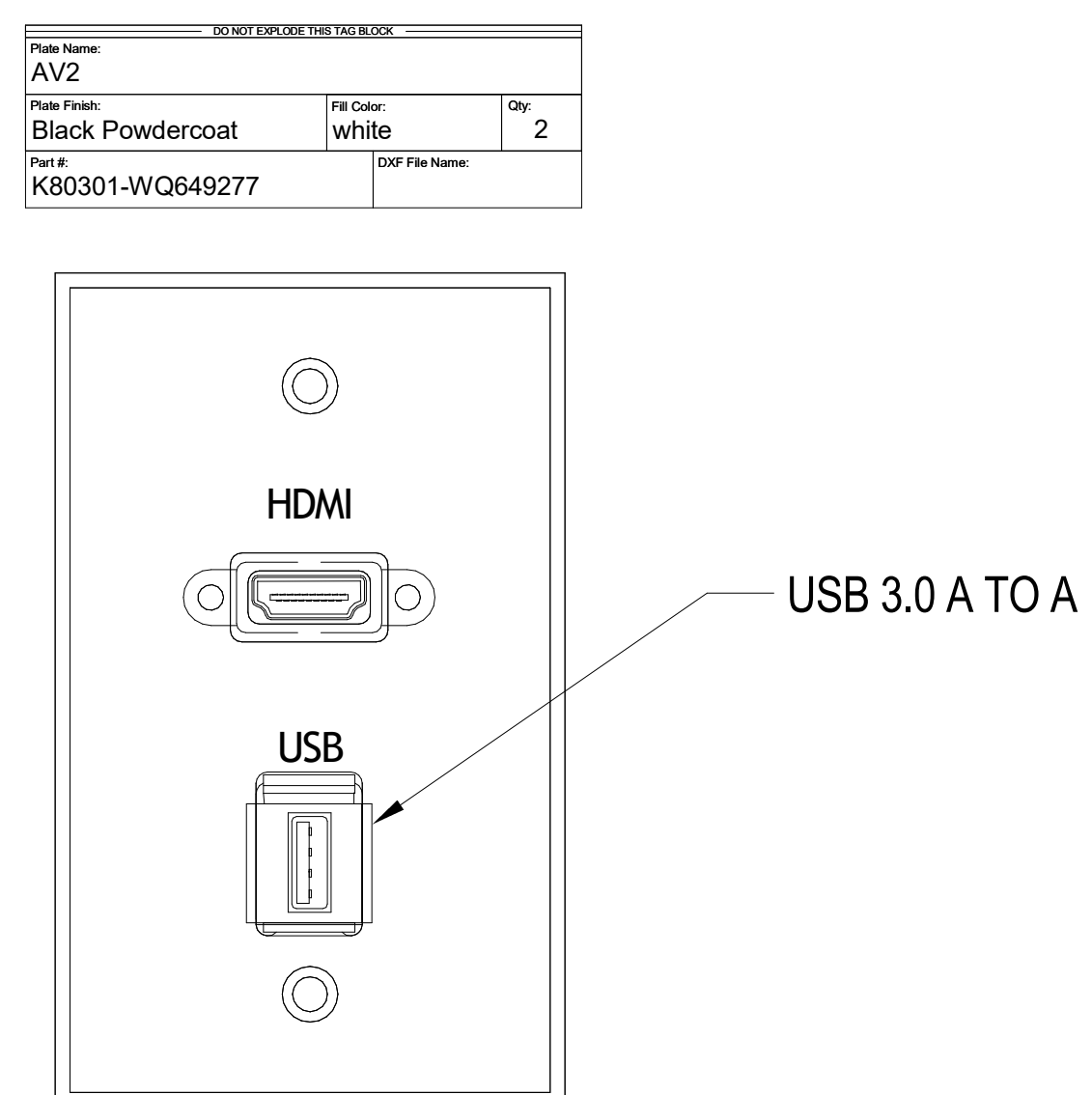
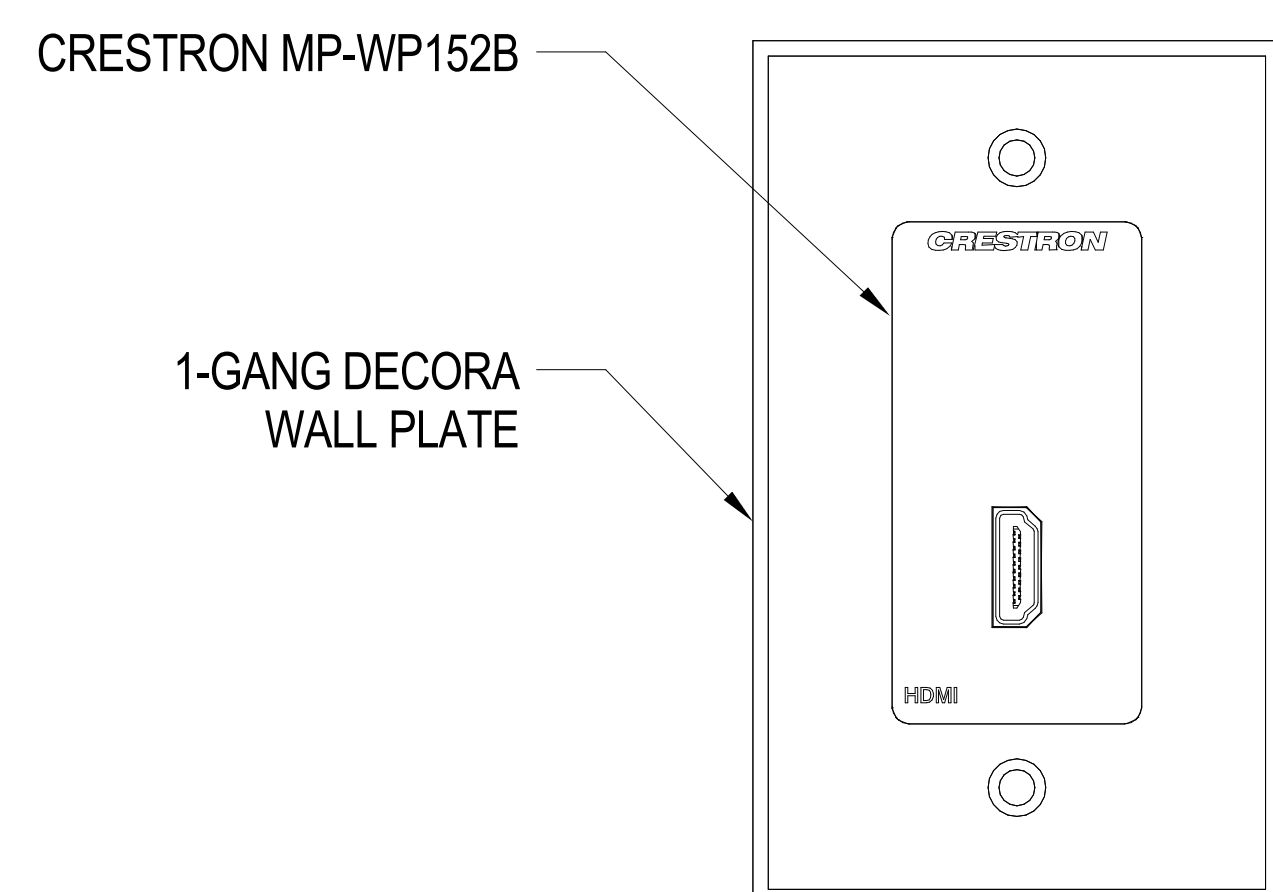
PROJ. NO. 121091.00
DRAWN: K2
CHECKED: EA
APPROVED: KH
DATE: 12/22/2022
REVISIONS:
6 12/22/2022 C08 003

© OZ ARCHITECTURE

ANSCHUTZ ENGINEERING CENTER
ISSUED FOR:
100% CD Modifications

SHEET TITLE:
AUDIOVISUAL DETAILS
SCALE: As Indicated
SHEET NUMBER

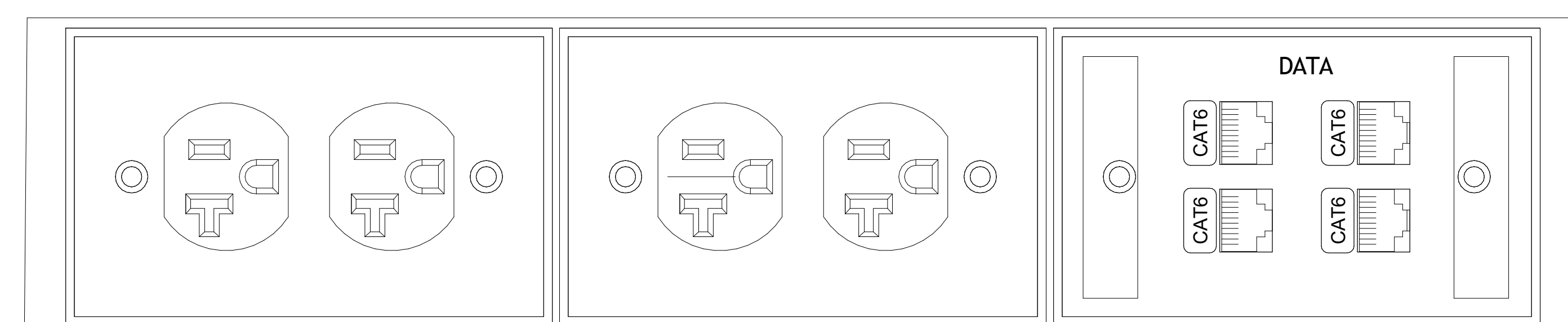
TA-501



1 HDMI PASS-THRU WALL PLATE [AV1]
SCALE: 6" = 1'-0"

2 HDMI + USB PASS-THRU WALL PLATE [AV2]
SCALE: 6" = 1'-0"

3 3-GANG WALL PLATE [AV6] - CLASSROOM 101 & 103
SCALE: 6" = 1'-0"

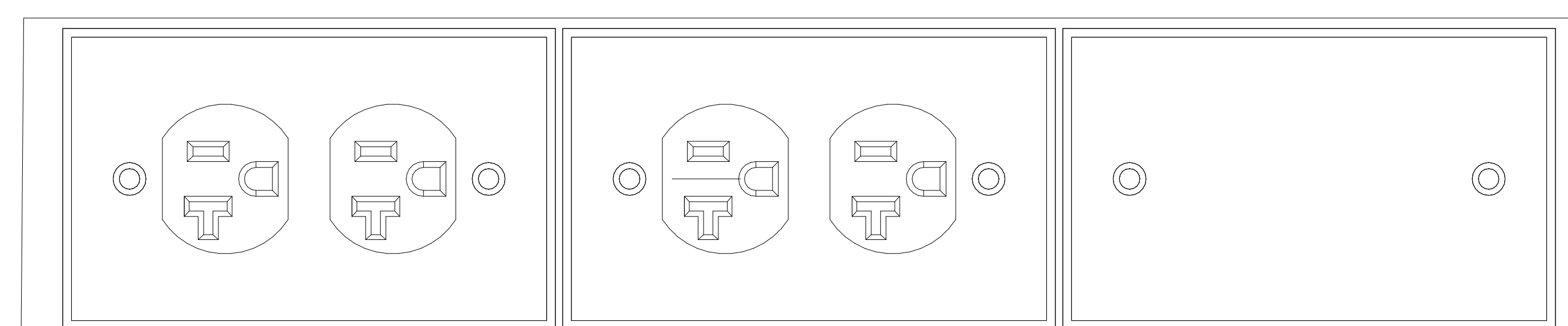


SIDE A

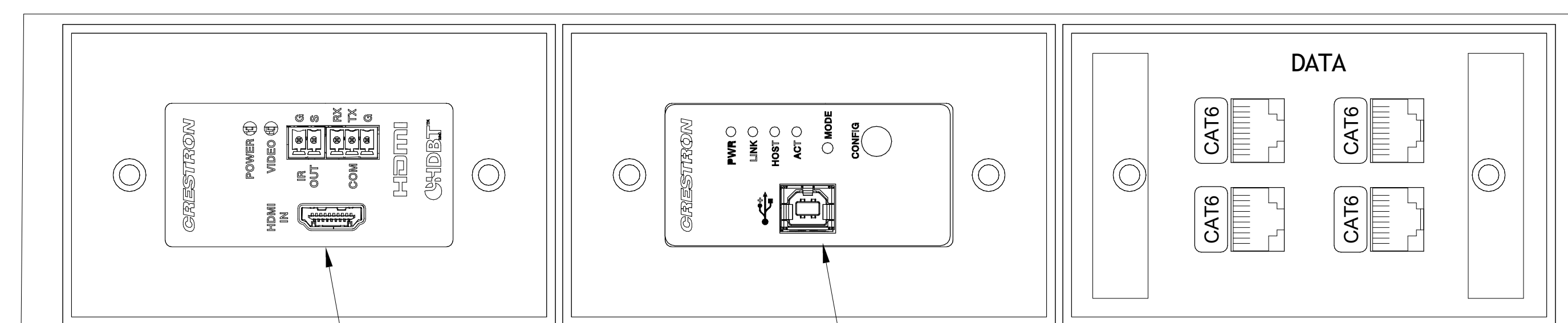


SIDE B

4 6-GANG FLOOR BOX [FB1] - COMPUTER PODS 104
SCALE: 6" = 1'-0"



SIDE A

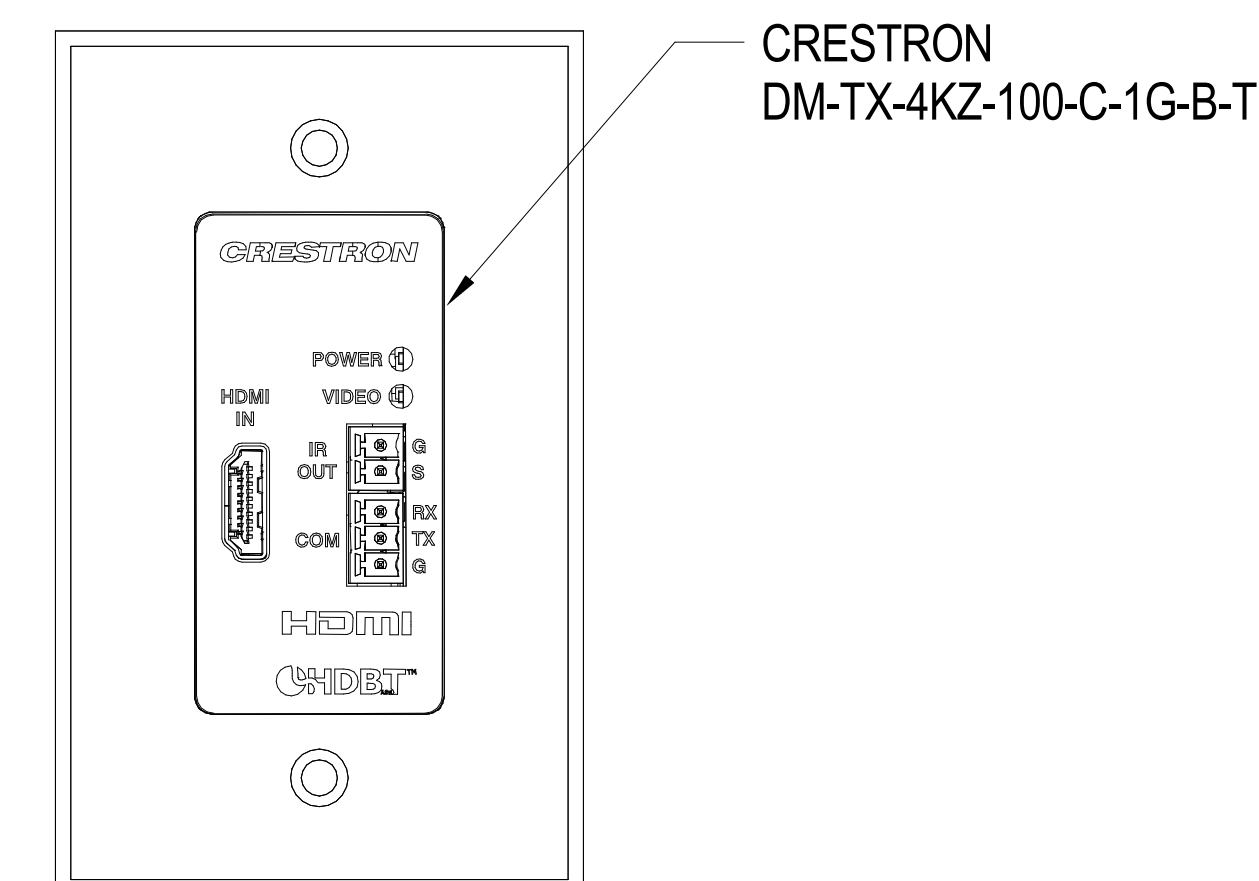


SIDE B

4 6-GANG FLOOR BOX [FB3]
SCALE: 6" = 1'-0"



6 1RU AUDIO I/O PANEL - ASSISTED LISTENING
SCALE: 6" = 1'-0"



1 HDMI TRANSMITTER WALL PLATE [AV7]
SCALE: 6" = 1'-0"



3003 Larimer Street
Denver, Colorado 80205
phone 303.861.5704
www.ozarch.com

ANSCHUTZ ENGINEERING CENTER
1420 AUSTIN BLUFFS PKWY
COLORADO SPRINGS, CO 80918

PROJ. NO. 121091.00
DRAWN: K2
CHECKED: EA
APPROVED: KH
DATE: 12/22/2022
REVISIONS:
6 12/22/2022 C08 003

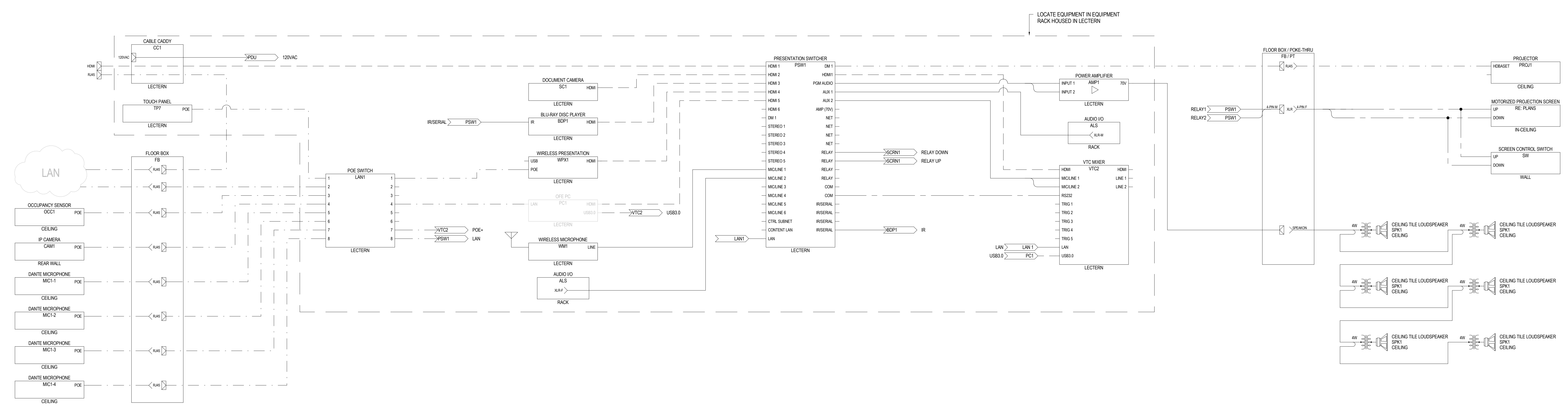
© OZ ARCHITECTURE

ANSCHUTZ ENGINEERING CENTER
ISSUED FOR:
100% CD Modifications

SHEET TITLE:
AUDIOVISUAL
FUNCTIONAL DIAGRAMS

SCALE: NTS
SHEET NUMBER

TA-601



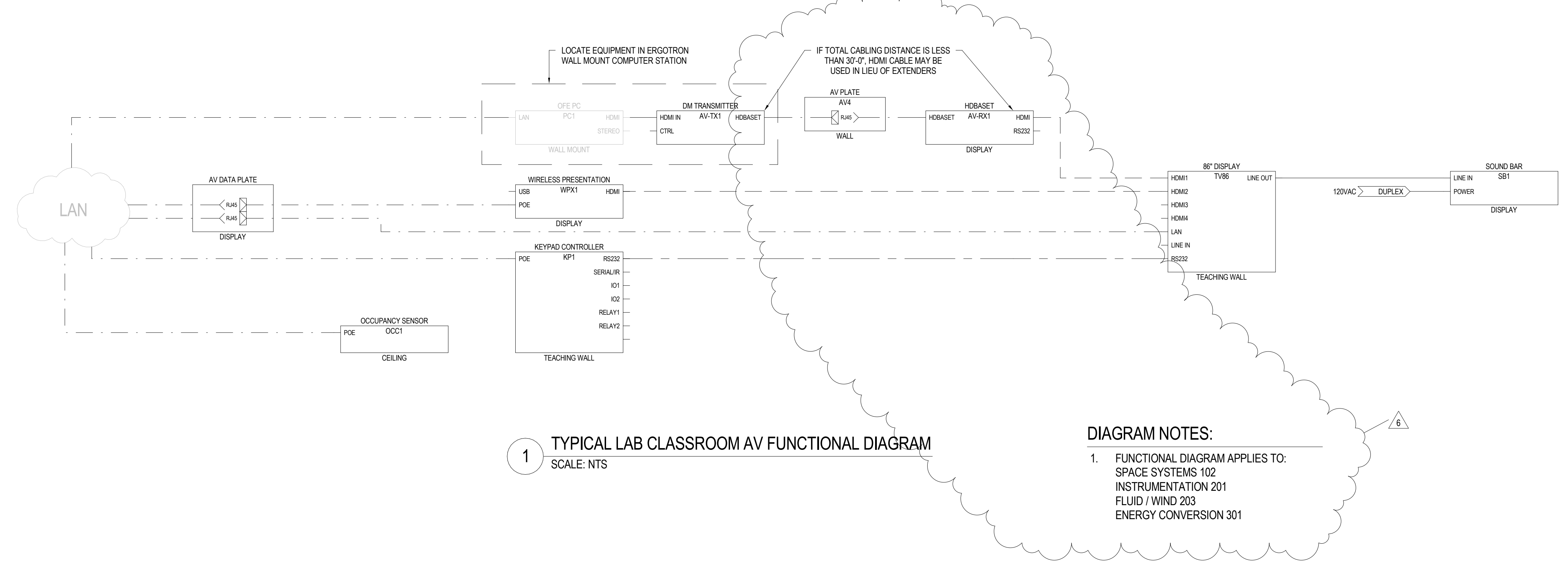
- DIAGRAM NOTES:**
- FUNCTIONAL DIAGRAM APPLIES TO:
CLASSROOM 101
CLASSROOM 103
 - REFER TO REFLECTED CEILING PLANS FOR LOUDSPEAKER QUANTITY.

1 STANDARD CLASSROOM AV FUNCTIONAL DIAGRAM - HYFLEX
SCALE: NTS



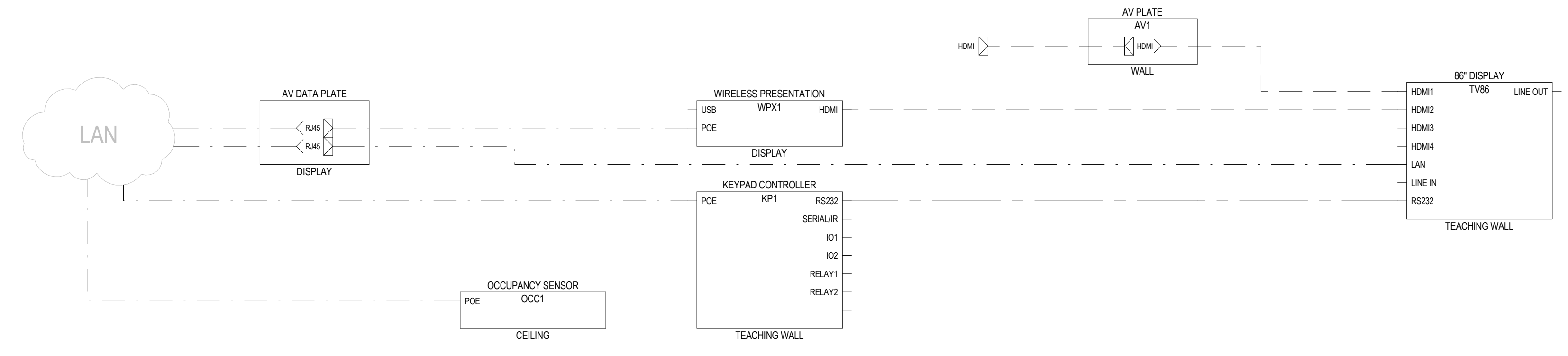
3003 Larimer Street
Denver, Colorado 80205
phone 303.861.5704
www.ozarch.com

ANSCHUTZ ENGINEERING CENTER
1420 AUSTIN BLUFFS PKWY
COLORADO SPRINGS, CO 80918



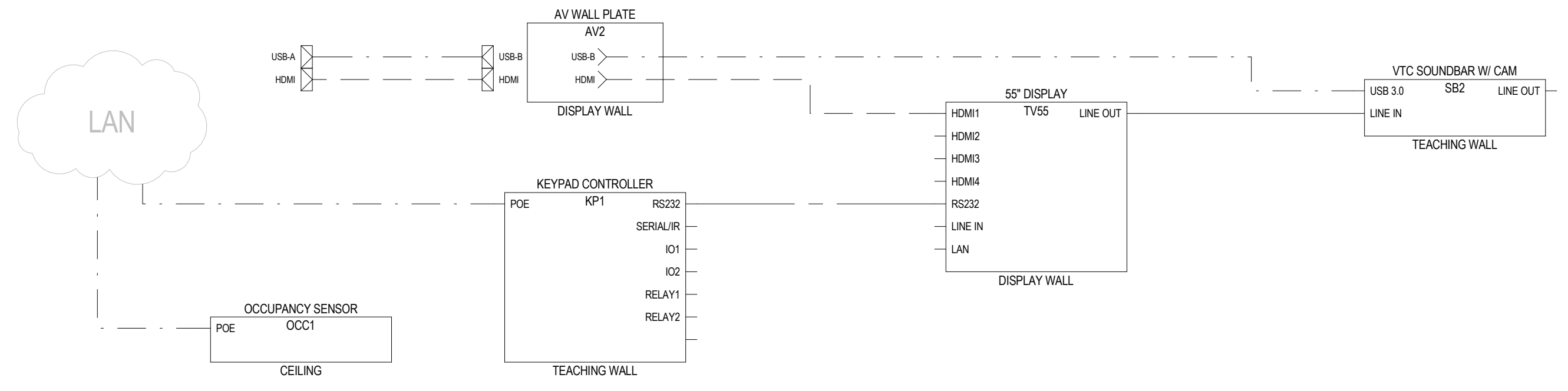
1 TYPICAL LAB CLASSROOM AV FUNCTIONAL DIAGRAM
SCALE: NTS

DIAGRAM NOTES:
1. FUNCTIONAL DIAGRAM APPLIES TO:
SPACE SYSTEMS 102
INSTRUMENTATION 201
FLUID / WIND 203
ENERGY CONVERSION 301



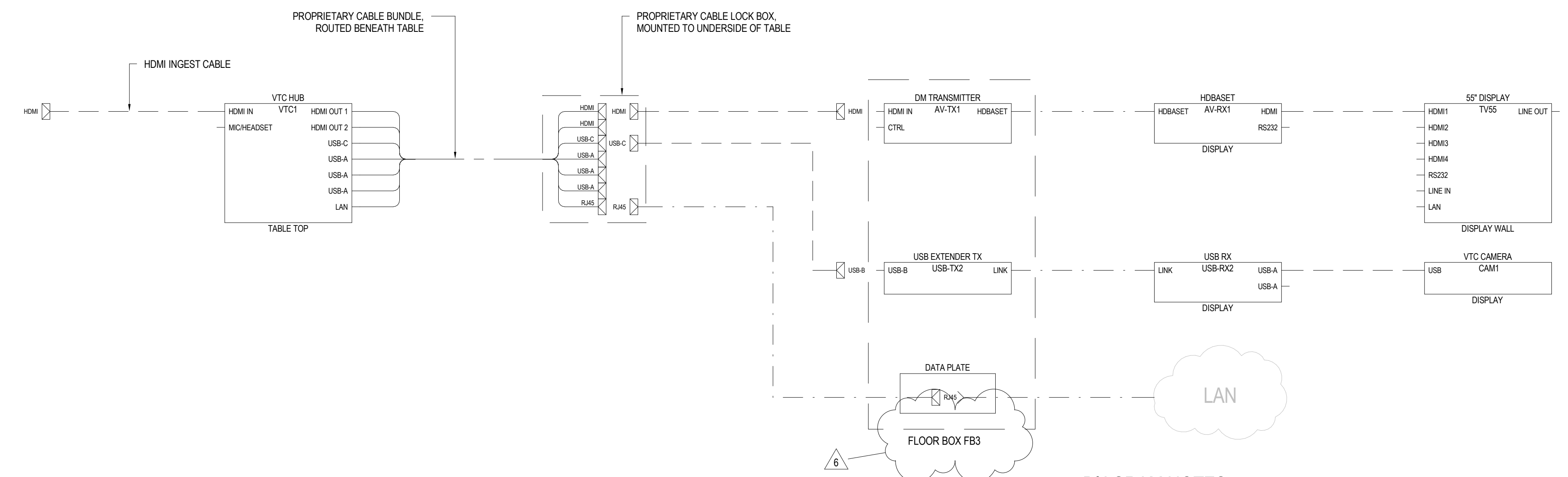
2 TYPICAL MEETING ROOM AV FUNCTIONAL DIAGRAM
SCALE: NTS

DIAGRAM NOTES:
1. FUNCTIONAL DIAGRAM APPLIES TO:
FAC MAE RESEARCH 222
ECE FAC RESEARCH 316
ECE FAC RESEARCH 318
ECE CAPSTONE 319



3 TYPICAL HUDDLE ROOM AV FUNCTIONAL DIAGRAM
SCALE: NTS

DIAGRAM NOTES:
1. FUNCTIONAL DIAGRAM APPLIES TO:
HUDDLE 218
HUDDLE 312



4 TYPICAL TEAMS ROOM AV FUNCTIONAL DIAGRAM
SCALE: NTS

DIAGRAM NOTES:
1. FUNCTIONAL DIAGRAM APPLIES TO:
SENIOR DESIGN MEETING 14A-102

PROJ. NO: 121091.00
DRAWN: K2
CHECKED: EA
APPROVED: KH
DATE: 12/22/2022
REVISIONS:
6 12/22/2022 COB 003

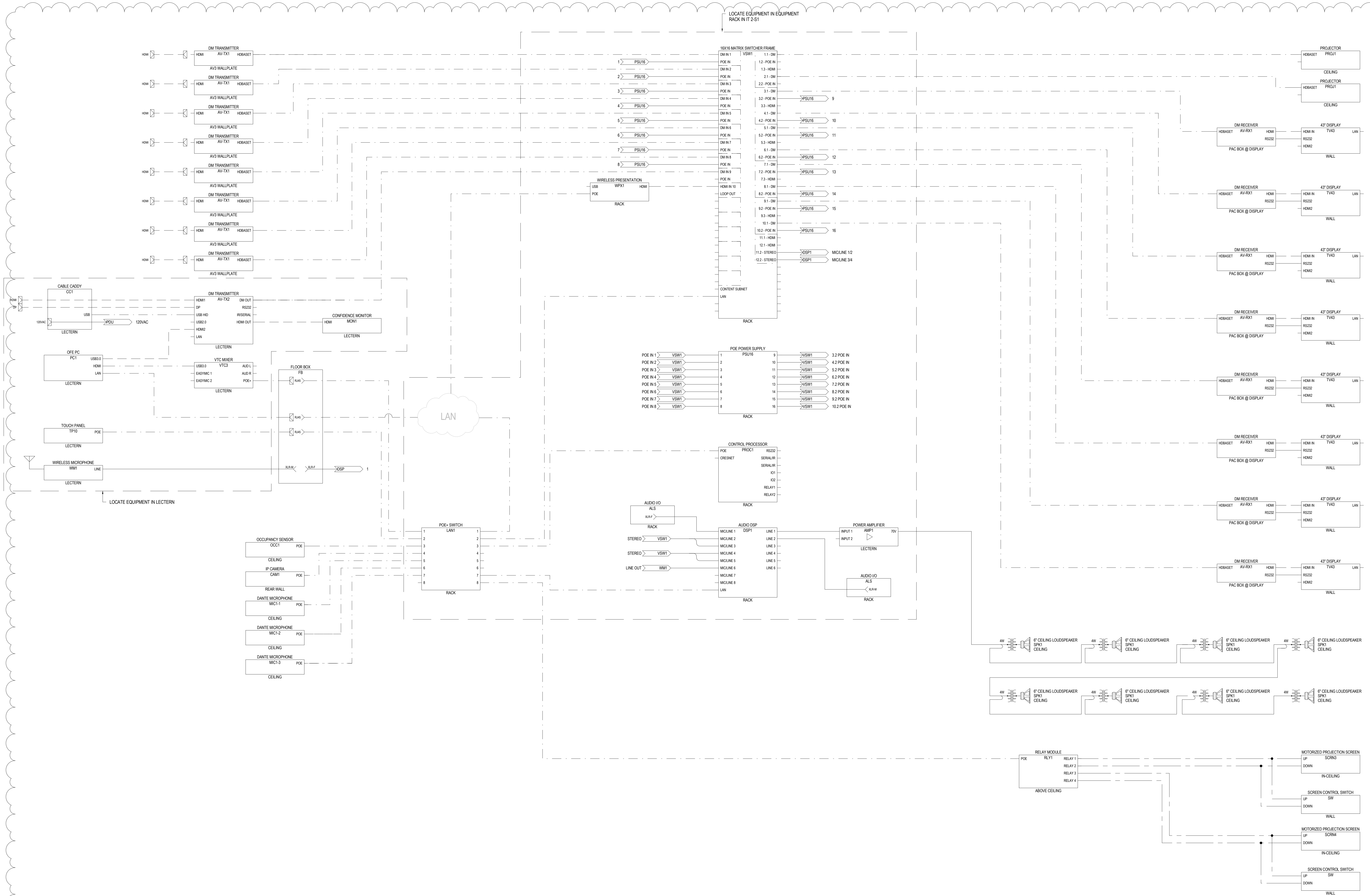
© OZ ARCHITECTURE

ANSCHUTZ ENGINEERING CENTER
ISSUED FOR:
100% CD Modifications

SHEET TITLE:
AUDIOVISUAL
FUNCTIONAL DIAGRAMS

SCALE: NTS
SHEET NUMBER

TA-602

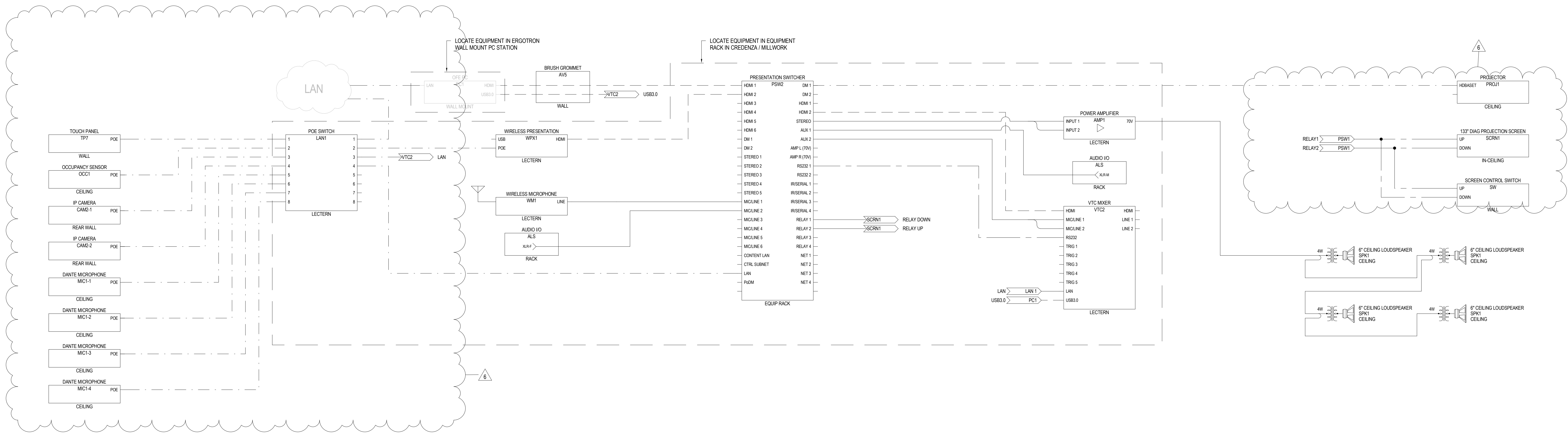


1 COMPUTER PODS 104 CLASSROOM AV FUNCTIONAL DIAGRAM
SCALE: NTS

12/21/2022 12:28:30 PM B:\360\121091.00 Anschutz Engineering Center\K2 UCCS3 Engineering Expansion_R21_T1.dwg



3003 Larimer Street
Denver, Colorado 80205
phone 303.861.5704
www.ozarch.com



1 CONFERENCE ROOM 302 AV FUNCTIONAL DIAGRAM
SCALE: NTS

ANSCHUTZ ENGINEERING CENTER
1420 AUSTIN BLUFFS PKWY
COLORADO SPRINGS, CO 80918

PROJ. NO. 121091.00
DRAWN: K2
CHECKED: EA
APPROVED: KH
DATE: 12/22/2022
REVISIONS:
6 12/22/2022 C08 003

© OZ ARCHITECTURE

ANSCHUTZ ENGINEERING CENTER
ISSUED FOR:
100% CD Modifications

SHEET TITLE:
AUDIOVISUAL
FUNCTIONAL DIAGRAMS

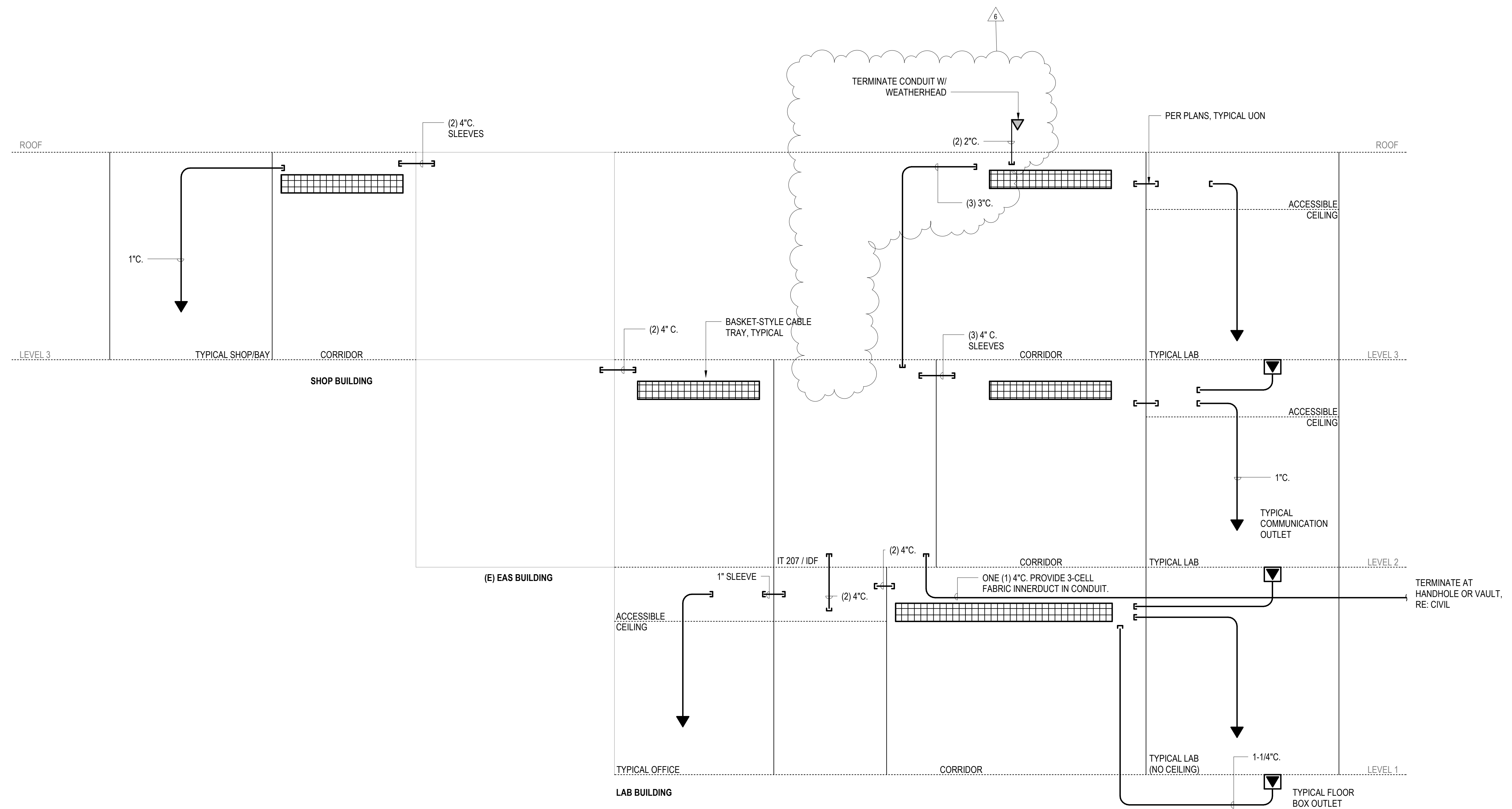
SCALE: NTS
SHEET NUMBER

TA-604



3003 Larimer Street
 Denver, Colorado 80205
 phone 303.861.5704
 www.ozarch.com

ANSCHUTZ ENGINEERING CENTER
 1420 AUSTIN BLUFFS PKWY
 COLORADO SPRINGS, CO 80918



1 TELECOMMUNICATIONS PATHWAYS AND SPACES DIAGRAM
 NTS

PROJ. NO: 121091.00
 DRAWN: K2
 CHECKED: EA
 APPROVED: KH
 DATE: 12/22/2022
 REVISIONS:
 6 12/22/2022 C08 003

© OZ ARCHITECTURE

ANSCHUTZ ENGINEERING CENTER
 ISSUED FOR:
 100% CD Modifications

SHEET TITLE:
 TELECOMMUNICATIONS PATHWAYS AND SPACES DIAGRAM
 SCALE: NTS
 SHEET NUMBER

TN-004



3003 Larimer Street
Denver, Colorado 80205
phone 303.861.5704
www.ozarch.com

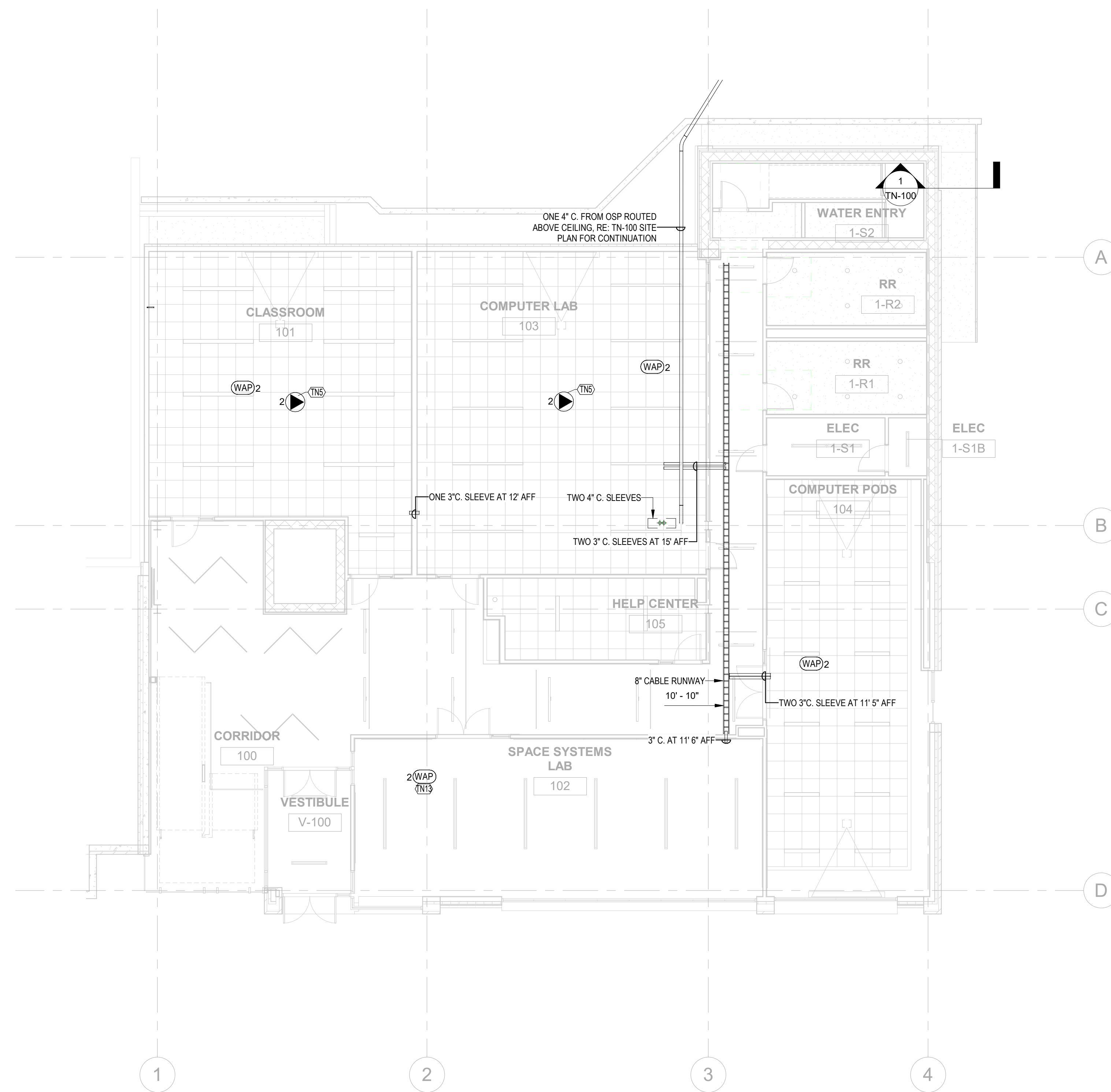
ANSCHUTZ ENGINEERING CENTER
1420 AUSTIN BLUFFS PKWY
COLORADO SPRINGS, CO 80918

TN SHEET NOTES

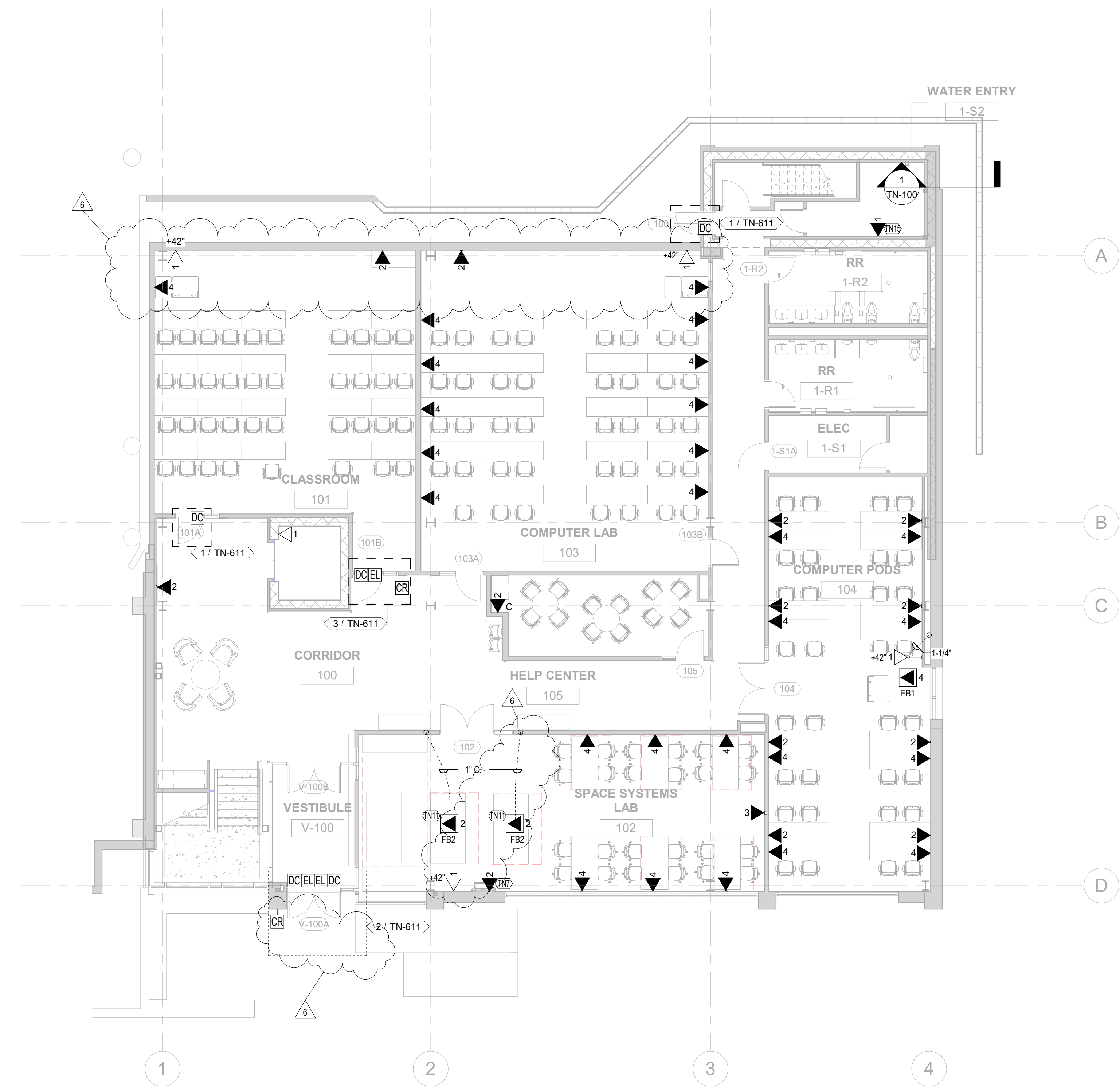
1. PROVIDE (1) 2" SLEEVE FROM CORRIDOR TO CEILING SPACE IN EACH OFFICE / LAB / CLASSROOM, UON. PROVIDE FIRESTOPPING AS REQUIRED. PROVIDE NYLON BUSHING AT TERMINATIONS.
2. PROVIDE J-HOOKS FROM TERMINATION OF CONDUIT STUB-UP AND SLEEVES TO CABLE TRAY.

KEYNOTE LEGEND

ID	DESCRIPTION
TN5	MOUNT DATA OUTLET IN PROJECTOR MOUNT PLATE.
TN7	WALL MOUNT PC STATION. MOUNT DATA OUTLET AT 18" AFF.
TN11	4-GANG COMBINATION FLOOR BOX - POWER / DATA.
TN13	RE: DETAIL 6, SHEET TN-501 FOR SUSPENDED CONDUIT MOUNT.
TN15	PROVIDE ONE CAT6 DROP FOR WATER METER. FIELD COORDINATE LOCATION.



2 LEVEL 1 REFLECTED CEILING PLAN - TECHNOLOGY
1/8" = 1'-0"



1 LEVEL 1 FLOOR PLAN - TECHNOLOGY
1/8" = 1'-0"

PROJ. NO: 121091.00
DRAWN: K2
CHECKED: EA
APPROVED: KH
DATE: 12/22/2022
REVISIONS:
6 12/22/2022 COB 003

© OZ ARCHITECTURE

ANSCHUTZ ENGINEERING CENTER
ISSUED FOR:
100% CD Modifications

SHEET TITLE:
TECHNOLOGY LEVEL 1
FLOOR PLAN & RCP

SCALE: As Indicated
SHEET NUMBER

TN-101



3003 Larimer Street
Denver, Colorado 80205
phone 303.861.5704
www.ozarch.com

ANSCHUTZ ENGINEERING CENTER
1420 AUSTIN BLUFFS PKWY
COLORADO SPRINGS, CO 80918

PROJ. NO. 121091.00
DRAWN: K2
CHECKED: EA
APPROVED: KH
DATE: 12/22/2022
REVISIONS:
6 12/22/2022 C08 003

© OZ ARCHITECTURE

ANSCHUTZ ENGINEERING CENTER
ISSUED FOR:
100% CD Modifications

SHEET TITLE:
TECHNOLOGY LEVEL 2
FLOOR PLAN & RCP
SCALE: As indicated
SHEET NUMBER

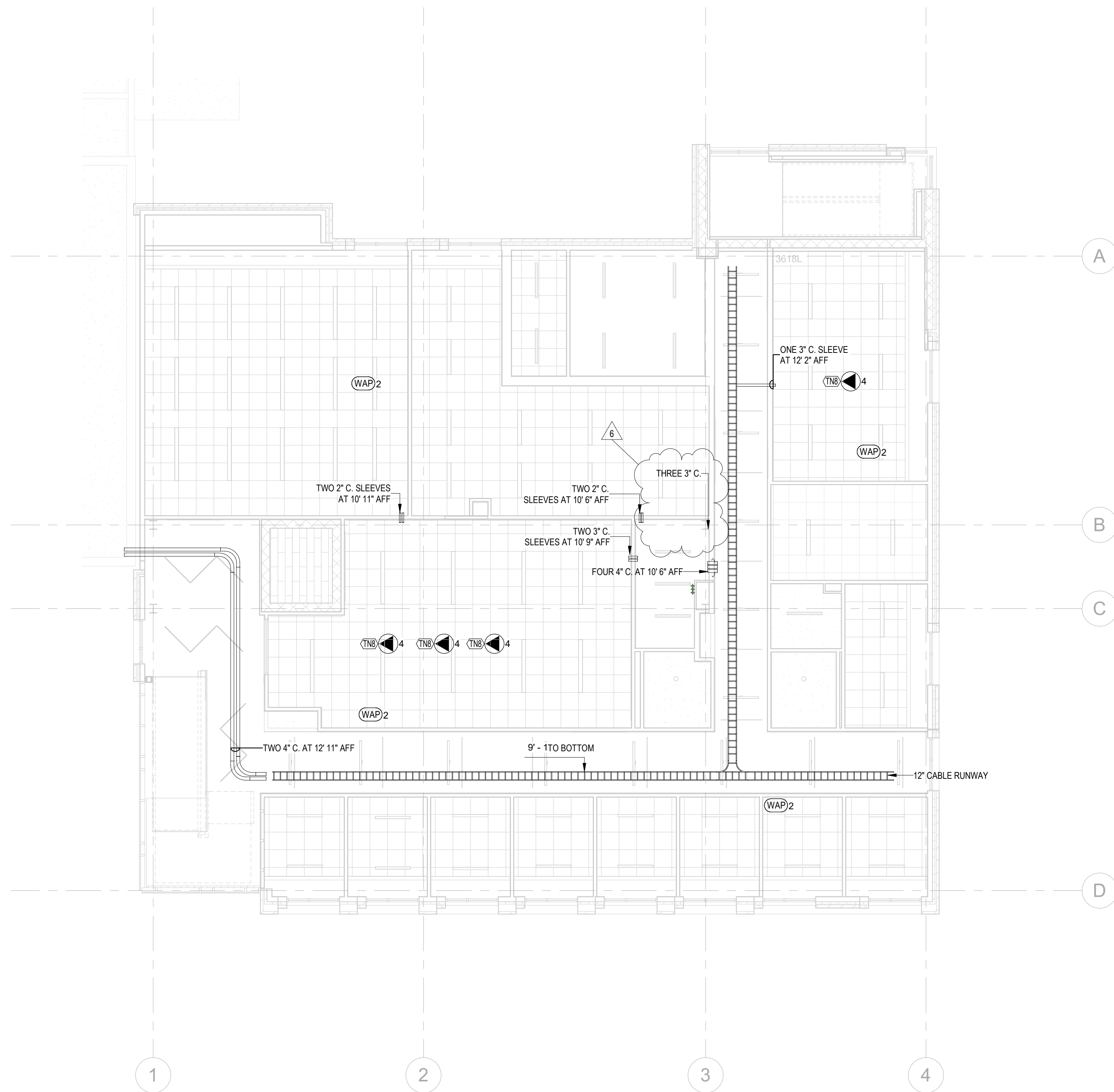
TN-102

TN SHEET NOTES

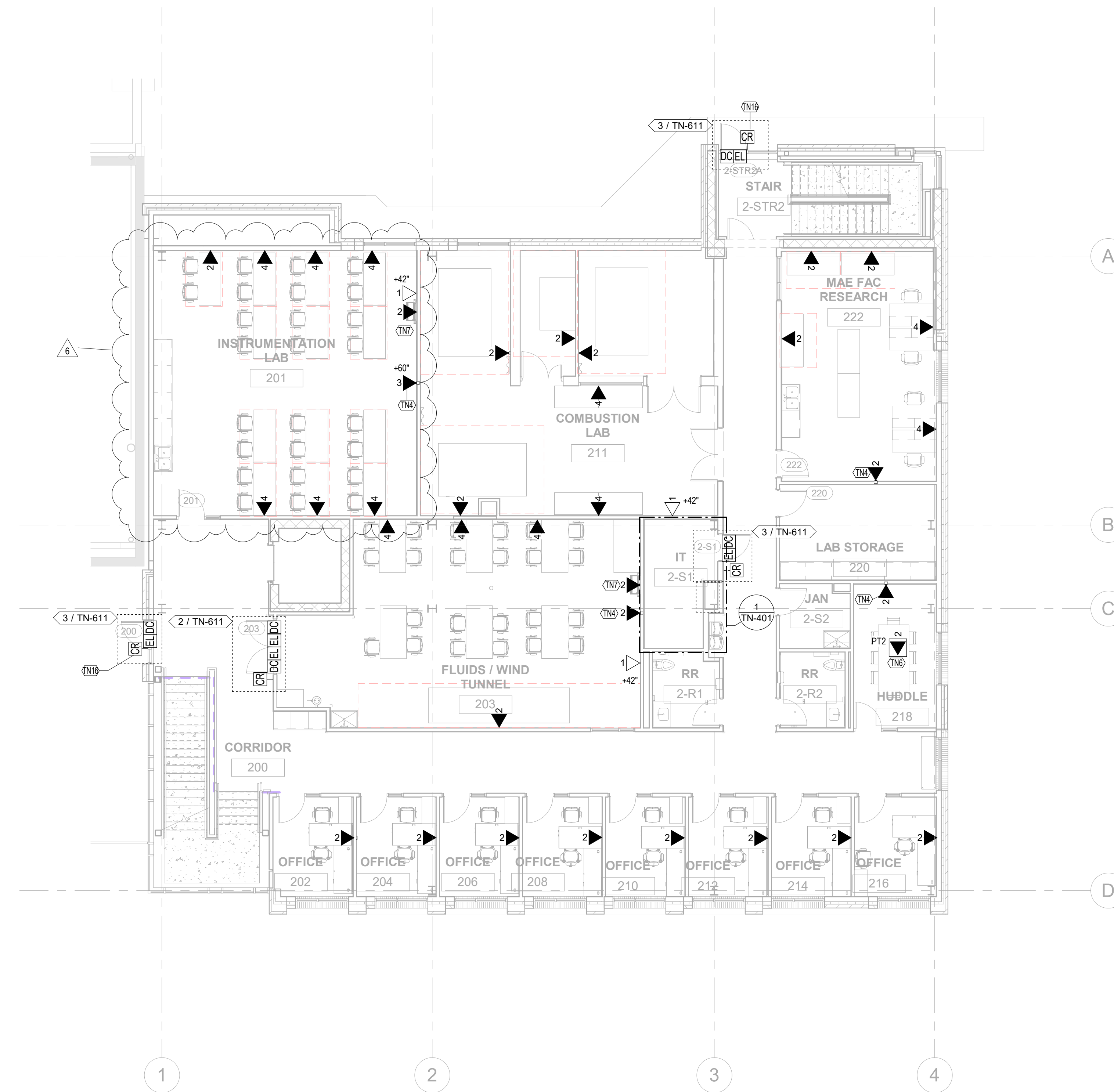
1. PROVIDE (1) 2" SLEEVE FROM CORRIDOR TO CEILING SPACE IN EACH OFFICE / LAB / CLASSROOM, UON. PROVIDE FIRESTOPPING AS REQUIRED. PROVIDE NYLON BUSHING AT TERMINATIONS.
2. PROVIDE J-HOOKS FROM TERMINATION OF CONDUIT STUB-UP AND SLEEVES TO CABLE TRAY.

KEYNOTE LEGEND

ID	DESCRIPTION
TN4	MOUNT DATA OUTLET INSIDE TV BACK BOX, REFER TO TA SHEETS FOR FURTHER INFORMATION.
TN6	6" COMBINATION POWER / DATA POKE-THRU DEVICE.
TN7	WALL MOUNT PC STATION. MOUNT DATA OUTLET AT 18" AFF.
TN8	INSTALL DATA OUTLETS IN CEILING SERVICE PANEL, FIELD COORDINATE LOCATION.
TN16	MULLION MOUNT CARD READER.



2 LEVEL 2 REFLECTED CEILING PLAN - TECHNOLOGY
1/8" = 1'-0"



1 LEVEL 2 FLOOR PLAN - TECHNOLOGY
1/8" = 1'-0"



3003 Larimer Street
Denver, Colorado 80205
phone 303.861.5704
www.ozarch.com

ANSCHUTZ ENGINEERING CENTER
1420 AUSTIN BLUFFS PKWY
COLORADO SPRINGS, CO 80918

PROJ. NO. 121091.00
DRAWN: K2
CHECKED: EA
APPROVED: KH
DATE: 12/22/2022
REVISIONS:
6 12/22/2022 C08 003

© OZ ARCHITECTURE

ANSCHUTZ ENGINEERING CENTER
ISSUED FOR:
100% CD Modifications

SHEET TITLE:
TECHNOLOGY LEVEL 3
FLOOR PLAN & RCP - LAB BLDG
SCALE: As indicated
SHEET NUMBER

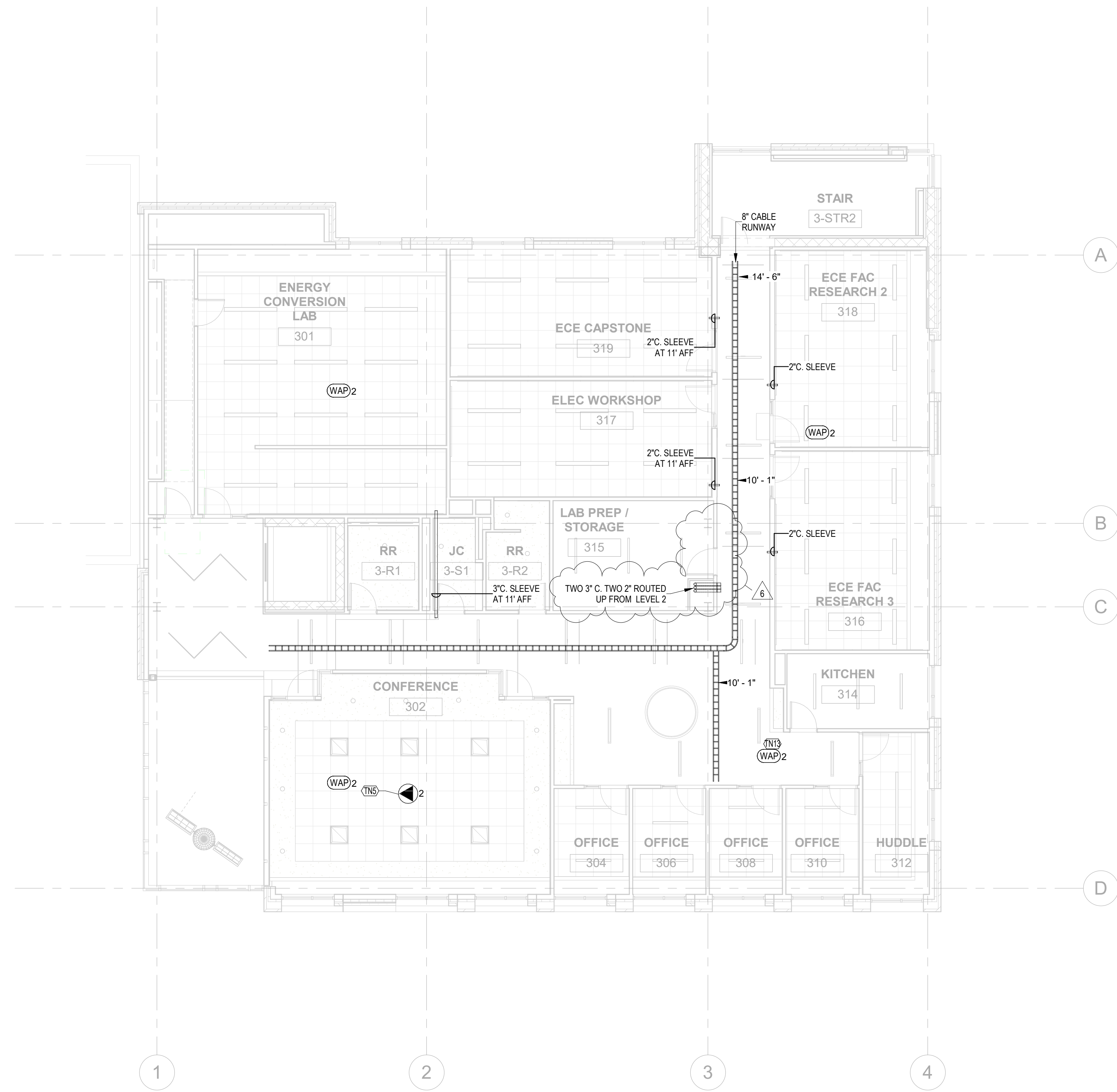
TN-103A

TN SHEET NOTES

1. PROVIDE (1) 2" SLEEVE FROM CORRIDOR TO CEILING SPACE IN EACH OFFICE / LAB / CLASSROOM, UON. PROVIDE FIRESTOPPING AS REQUIRED. PROVIDE NYLON BUSHING AT TERMINATIONS.
2. PROVIDE J-HOOKS FROM TERMINATION OF CONDUIT STUB-UP AND SLEEVES TO CABLE TRAY.

KEYNOTE LEGEND

ID	DESCRIPTION
TN4	MOUNT DATA OUTLET INSIDE TV BACK BOX, REFER TO TA SHEETS FOR FURTHER INFORMATION.
TN5	MOUNT DATA OUTLET IN PROJECTOR MOUNT PLATE.
TN6	6" COMBINATION POWER / DATA POKE-THRU DEVICE.
TN7	WALL MOUNT PC STATION. MOUNT DATA OUTLET AT 18" AFF.
TN10	AV EQUIPMENT RACK LOCATION - MOUNT DATA OUTLET IN REAR OF CABINET.
TN13	RE. DETAIL 6, SHEET TN-501 FOR SUSPENDED CONDUIT MOUNT.



2 LEVEL 3 REFLECTED CEILING PLAN - TECHNOLOGY
1/8" = 1'-0"



1 LEVEL 3 FLOOR PLAN - TECHNOLOGY
1/8" = 1'-0"



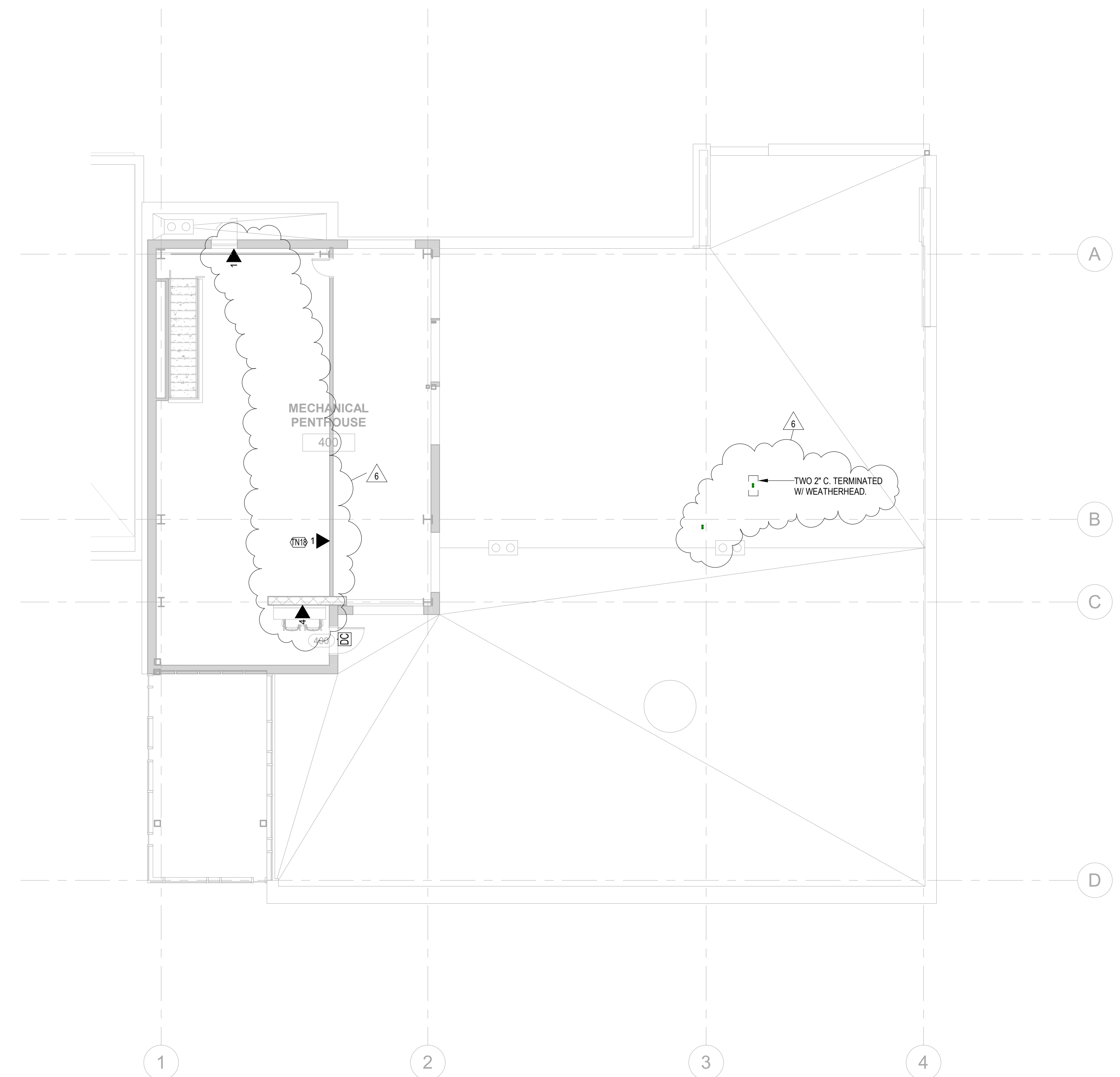
3003 Larimer Street
Denver, Colorado 80205
phone 303.861.5704
www.ozarch.com

TN SHEET NOTES

1. PROVIDE (1) 2" SLEEVE FROM CORRIDOR TO CEILING SPACE IN EACH OFFICE / LAB / CLASSROOM, UON. PROVIDE FIRESTOPPING AS REQUIRED. PROVIDE NYLON BUSHING AT TERMINATIONS.
2. PROVIDE J-HOOKS FROM TERMINATION OF CONDUIT STUB-UP AND SLEEVES TO CABLE TRAY.

KEYNOTE LEGEND

ID	DESCRIPTION
TN18	DATA OUTLET FOR BAS CONTROLLER, FIELD COORDINATE LOCATION WITH CONTROLS CONTRACTOR.



ANSCHUTZ ENGINEERING CENTER
1420 AUSTIN BLUFFS PKWY
COLORADO SPRINGS, CO 80918

PROJ. NO: 121091.00
DRAWN: K2
CHECKED: EC
APPROVED: KH
DATE: 12/22/2022
REVISIONS:
6 12/22/2022 C08 003

© OZ ARCHITECTURE

ANSCHUTZ ENGINEERING CENTER
ISSUED FOR:
100% CD Modifications

SHEET TITLE:
TECHNOLOGY LOWER
ROOF FLOOR PLAN

SCALE: As indicated
SHEET NUMBER

TN-104

1 LOWER ROOF FLOOR PLAN - TECHNOLOGY
1/8" = 1'-0"



3003 Larimer Street
Denver, Colorado 80205
phone 303.861.5704
www.ozarch.com

ANSCHUTZ ENGINEERING CENTER

1420 AUSTIN BLUFFS PKWY
COLORADO SPRINGS, CO 80918

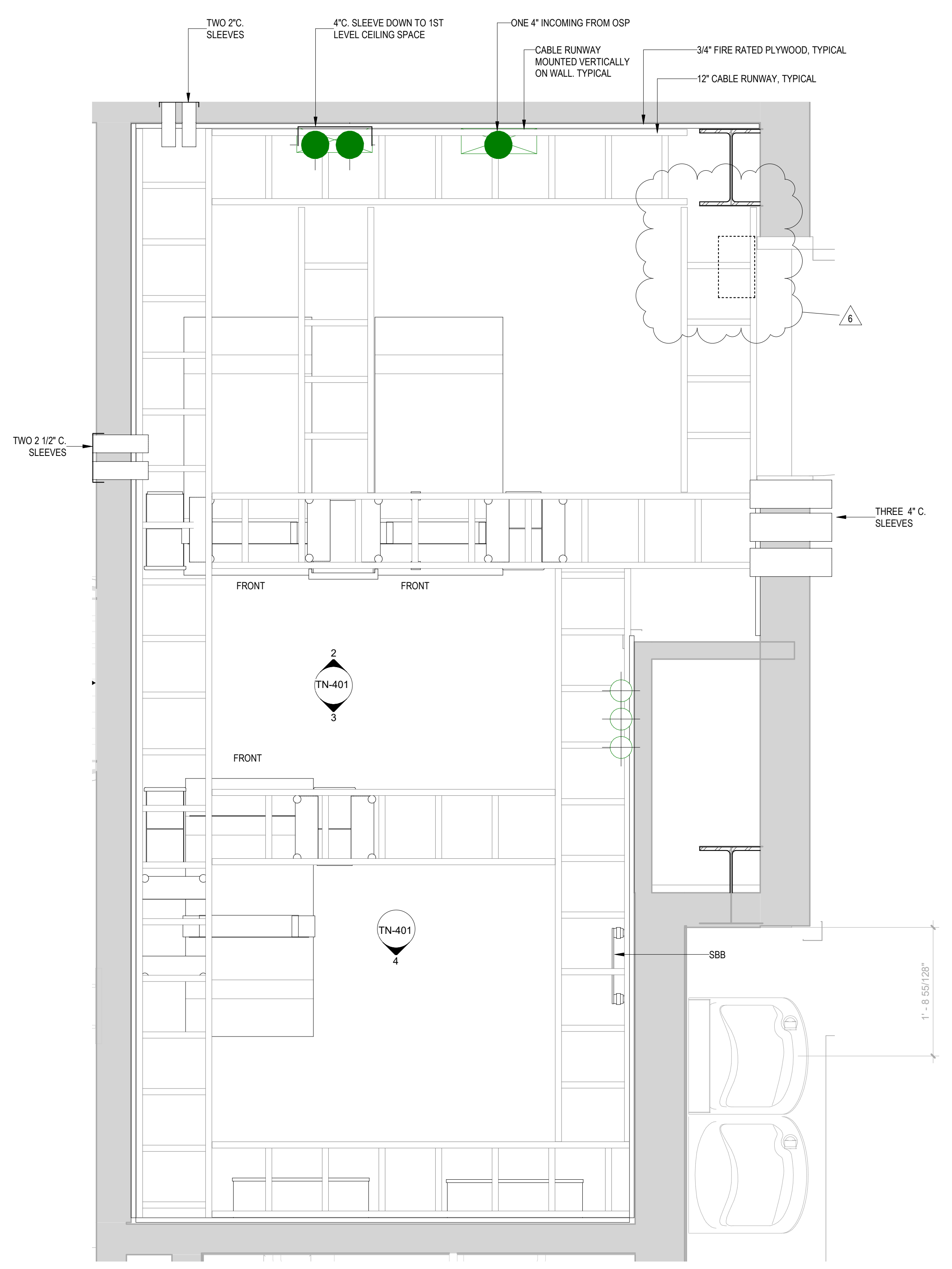
PROJ. NO. 121091.00
DRAWN: K2
CHECKED: EA
APPROVED: KH
DATE: 12/22/2022
REVISIONS:
6 12/22/2022 COB 003

© OZ ARCHITECTURE

ANSCHUTZ ENGINEERING CENTER
ISSUED FOR:
100% CD Modifications

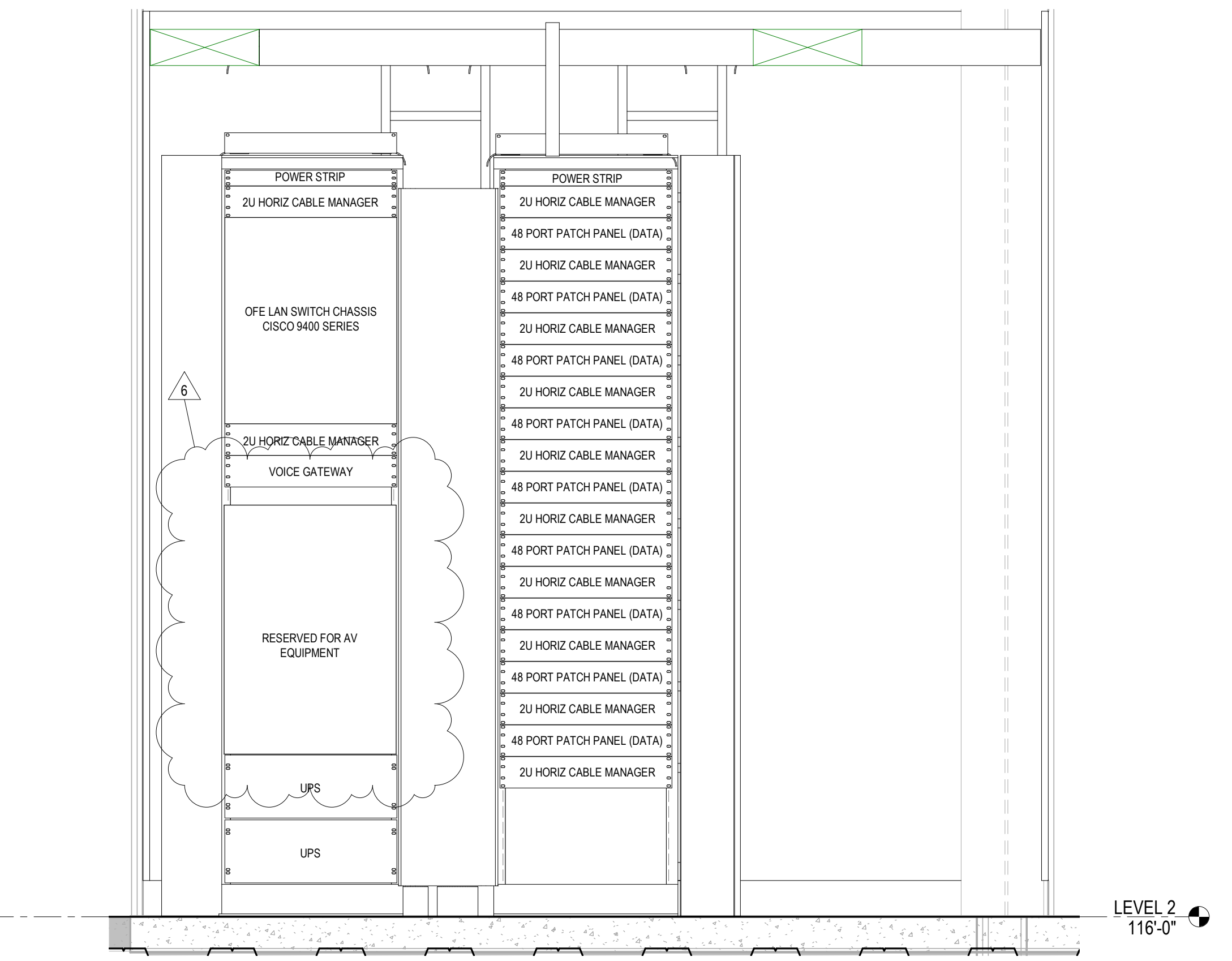
SHEET TITLE:
TECHNOLOGY ENLARGED DRAWINGS
SCALE: 1" = 1'-0"
SHEET NUMBER

TN-401

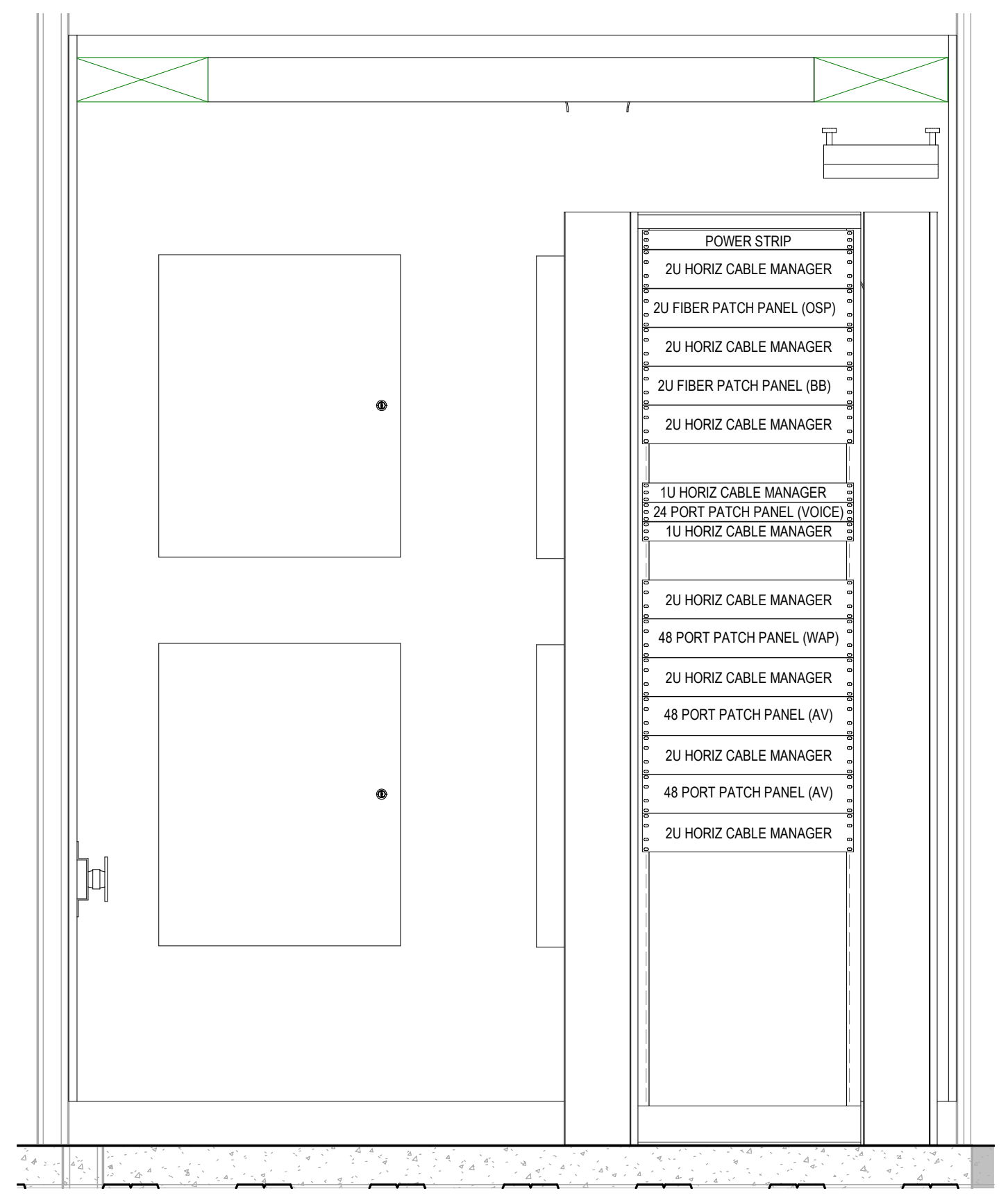


1 ENLARGED PLAN IT 2-S1
1" = 1'-0"

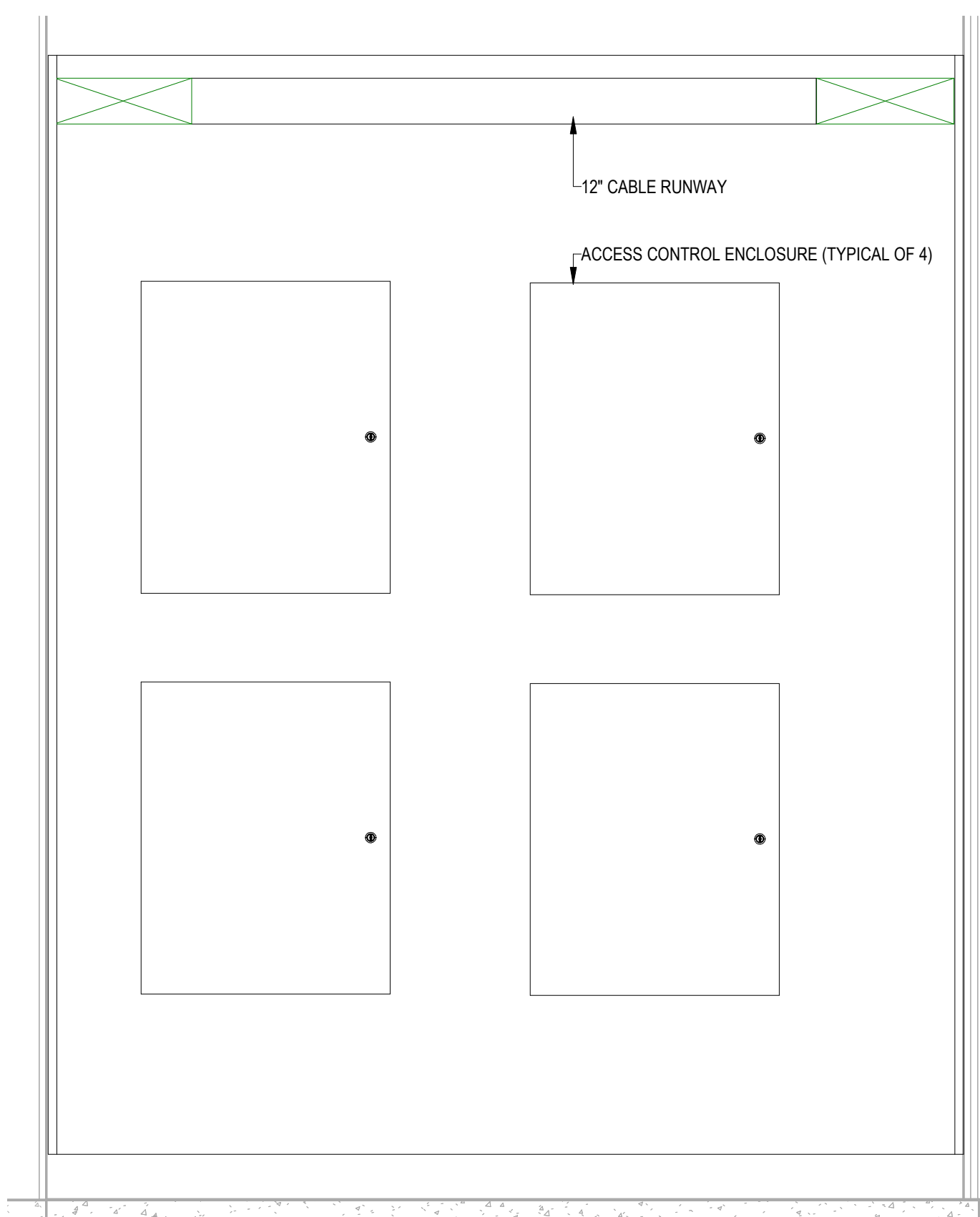
DROP COUNT LAB BDG		
DATA QTY	VOICE QTY	DEVICE
62	0	AV
329	7	DATA
4	0	SECURITY
28	0	WAP



2 IT 2-S1 RACK ELEVATION - NORTH
1" = 1'-0"



3 IT 2-S1 RACK ELEVATION - SOUTH
1" = 1'-0"



4 IT 2-S1 ACCESS CONTROL ELEVATION
1" = 1'-0"

12/22/2022 9:52:23 AM BIM 360://121091.00 Anschutz Engineering Center/K2 UCCS3 Engineering Expansion_Rc1_T1.rvt



3003 Larimer Street
Denver, Colorado 80205
phone 303.861.5704
www.ozarch.com

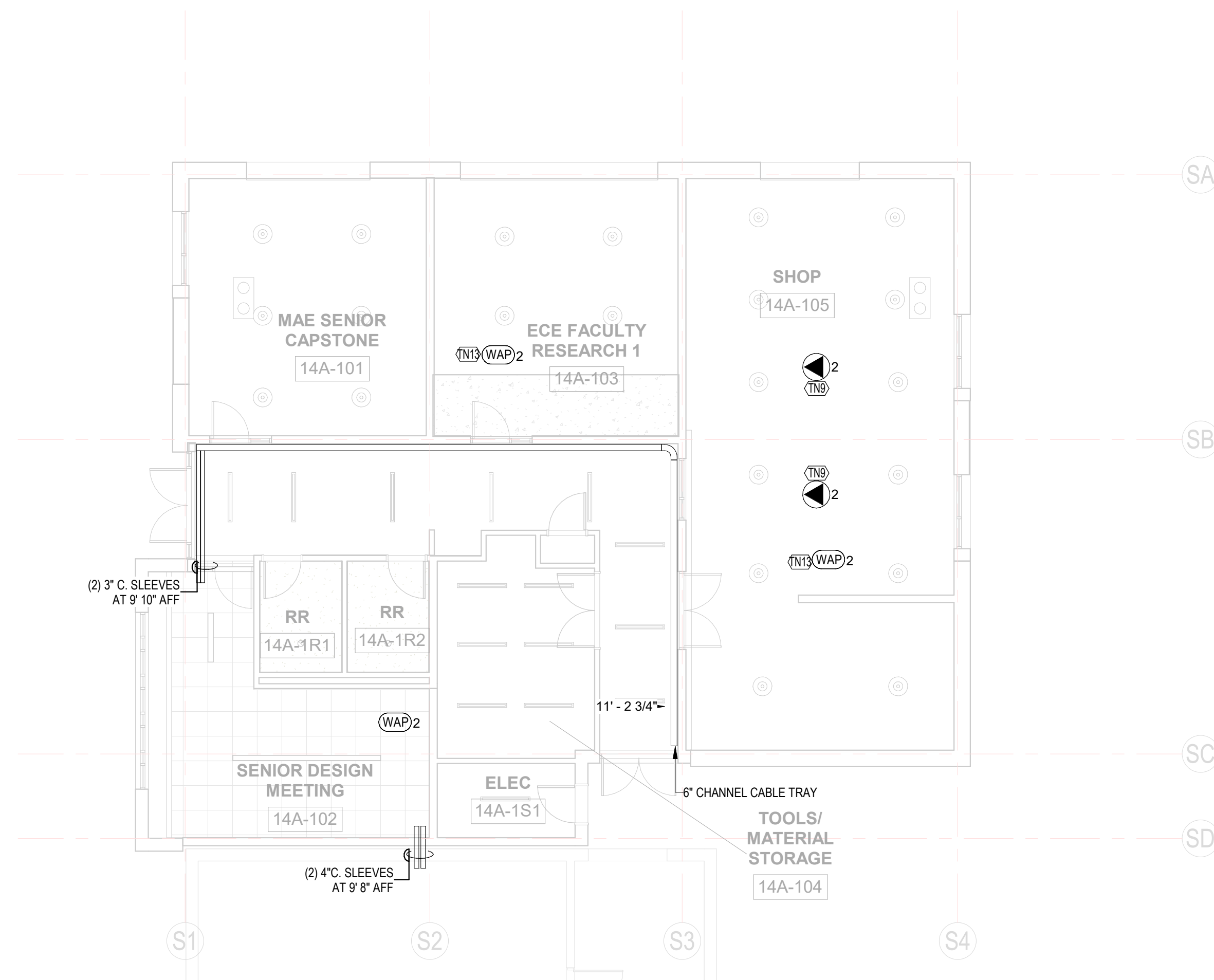
TN SHEET NOTES

1. PROVIDE (1) 2" SLEEVE FROM CORRIDOR TO CEILING SPACE IN EACH OFFICE / LAB / CLASSROOM. UON. PROVIDE FIRESTOPPING AS REQUIRED. PROVIDE NYLON BUSHING AT TERMINATIONS.
2. PROVIDE J-HOOKS FROM TERMINATION OF CONDUIT STUB-UP AND SLEEVES TO CABLE TRAY.

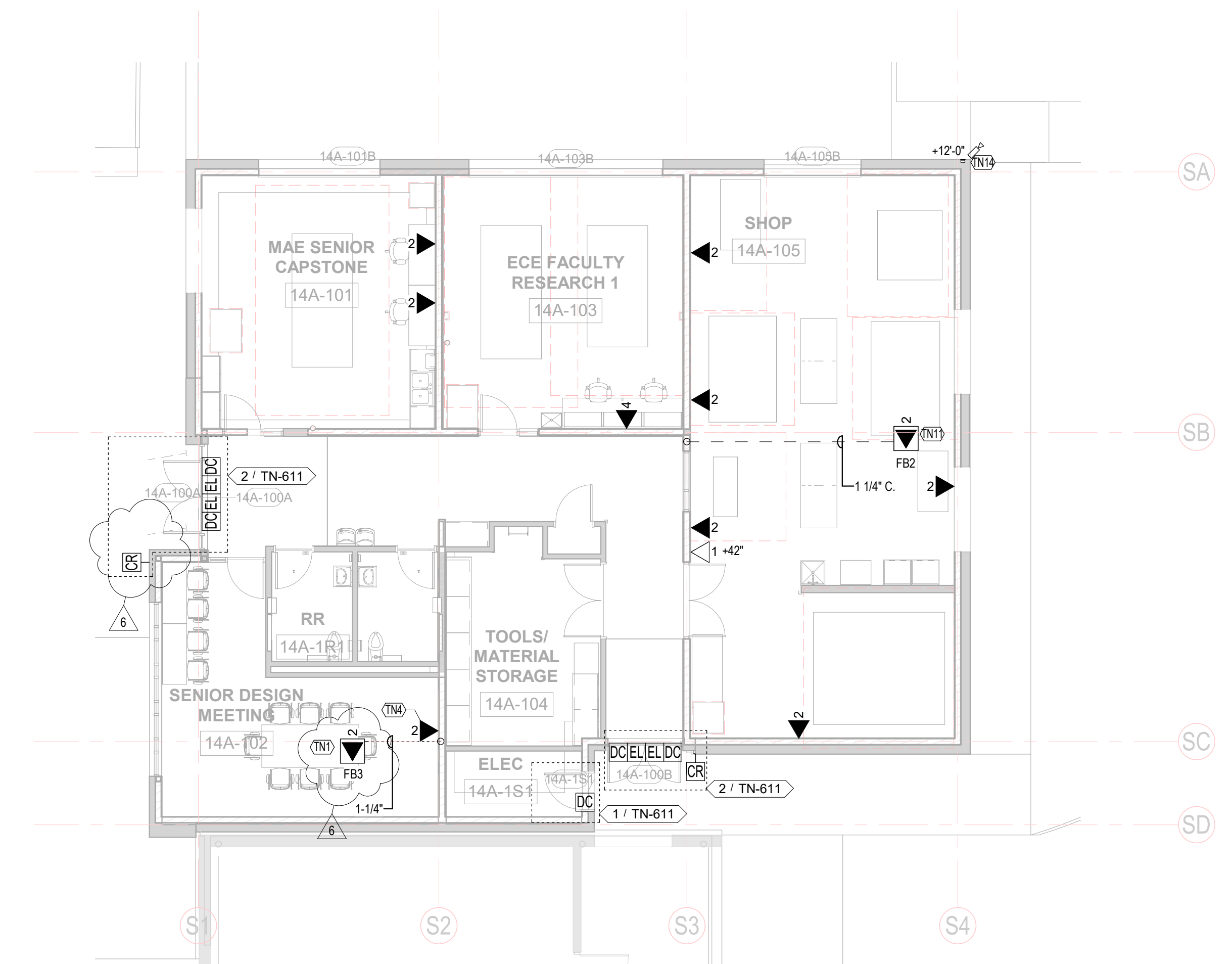
KEYNOTE LEGEND

ID	DESCRIPTION
TN1	6-GANG COMBINATION FLOOR BOX - AV / DATA/ POWER.
TN4	MOUNT DATA OUTLET INSIDE TV BACK BOX, REFER TO TA SHEETS FOR FURTHER INFORMATION.
TN9	INSTALL DATA OUTLETS IN SUSPENDED SERVICE RAIL, FIELD COORDINATE LOCATION.
TN11	4-GANG COMBINATION FLOOR BOX - POWER / DATA.
TN13	RE-DETAIL 6, SHEET TN-501 FOR SUSPENDED CONDUIT MOUNT.
TN14	PROVIDE CAMERA ROUGH-IN ONLY WITH PULL STRING.

ANSCHUTZ ENGINEERING CENTER
1420 AUSTIN BLUFFS PKWY
COLORADO SPRINGS, CO 80918



2 LEVEL 3 SHOP BUILDING REFLECTED CEILING PLAN - TECHNOLOGY
1/8" = 1'-0"



1 LEVEL 3 SHOP BUILDING FLOOR PLAN - TECHNOLOGY
1/8" = 1'-0"

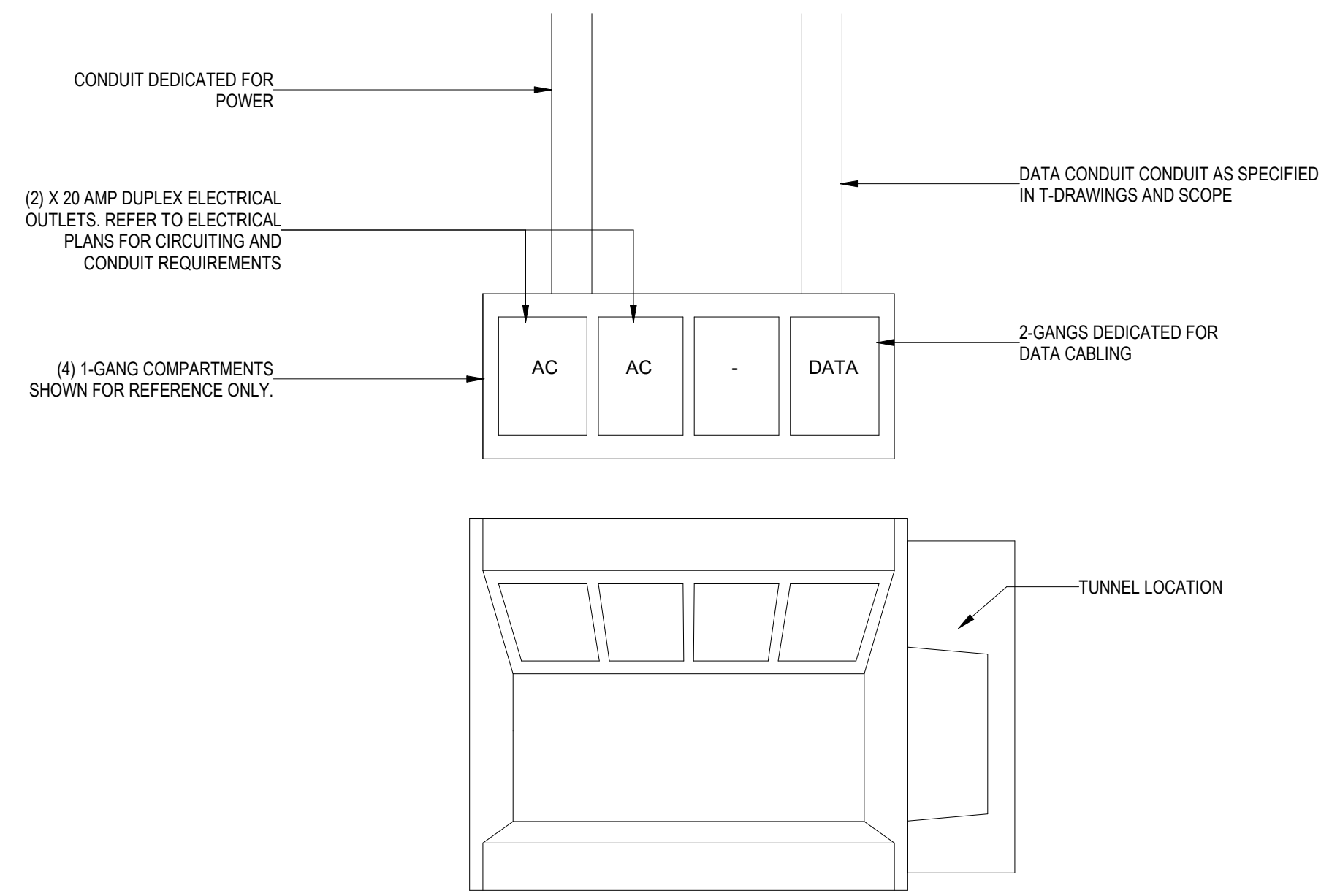
PROJ. NO. 121091.00
DRAWN: K2
CHECKED: EA
APPROVED: KH
DATE: 12/22/2022
REVISIONS:
6 12/22/2022 C08 003

© OZ ARCHITECTURE

ANSCHUTZ ENGINEERING CENTER
ISSUED FOR:
100% CD Modifications

SHEET TITLE:
TECHNOLOGY LEVEL 3
FLOOR PLAN & RCP -
SHOP BLDG
SCALE: As Indicated
SHEET NUMBER

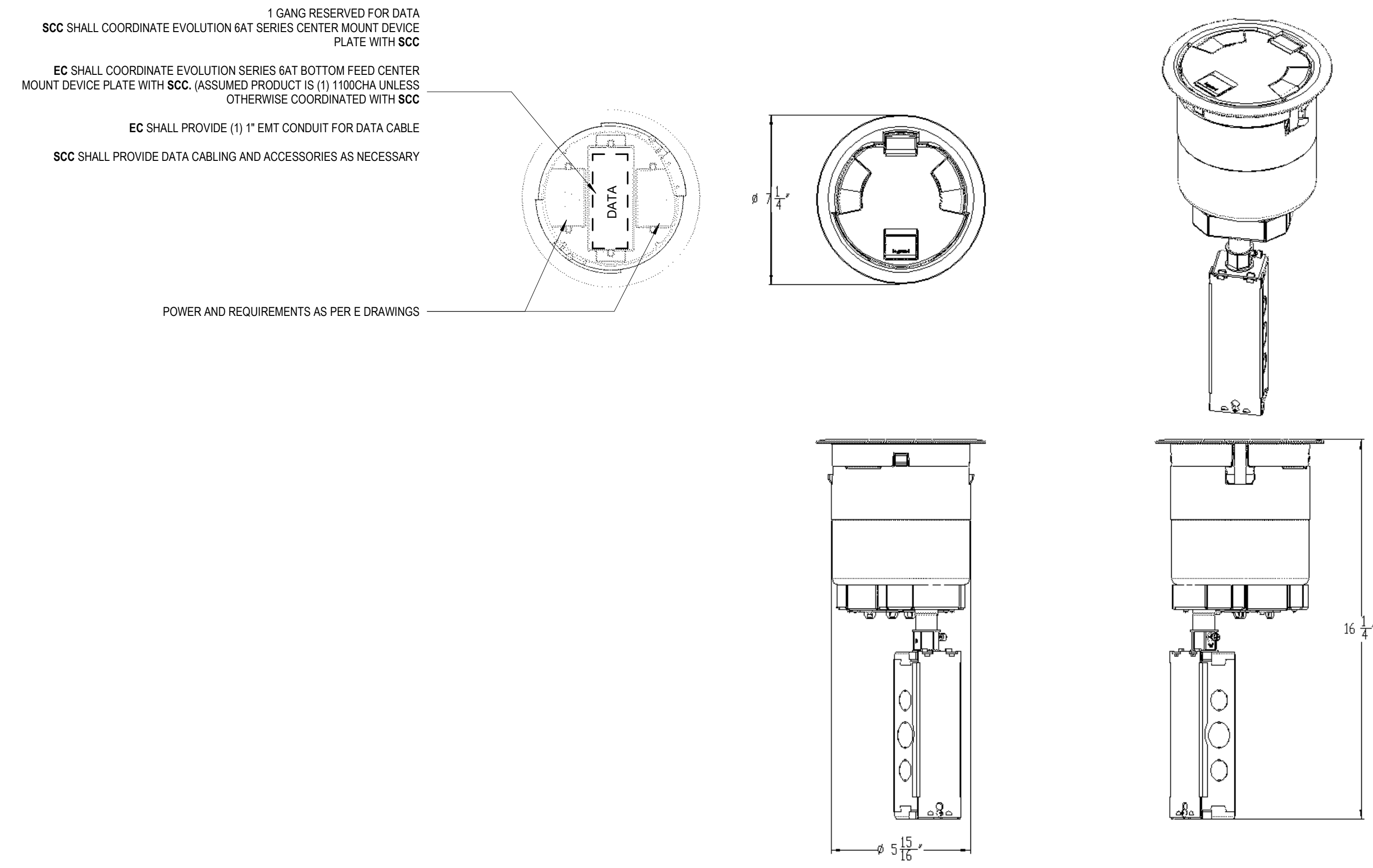
TN-103B



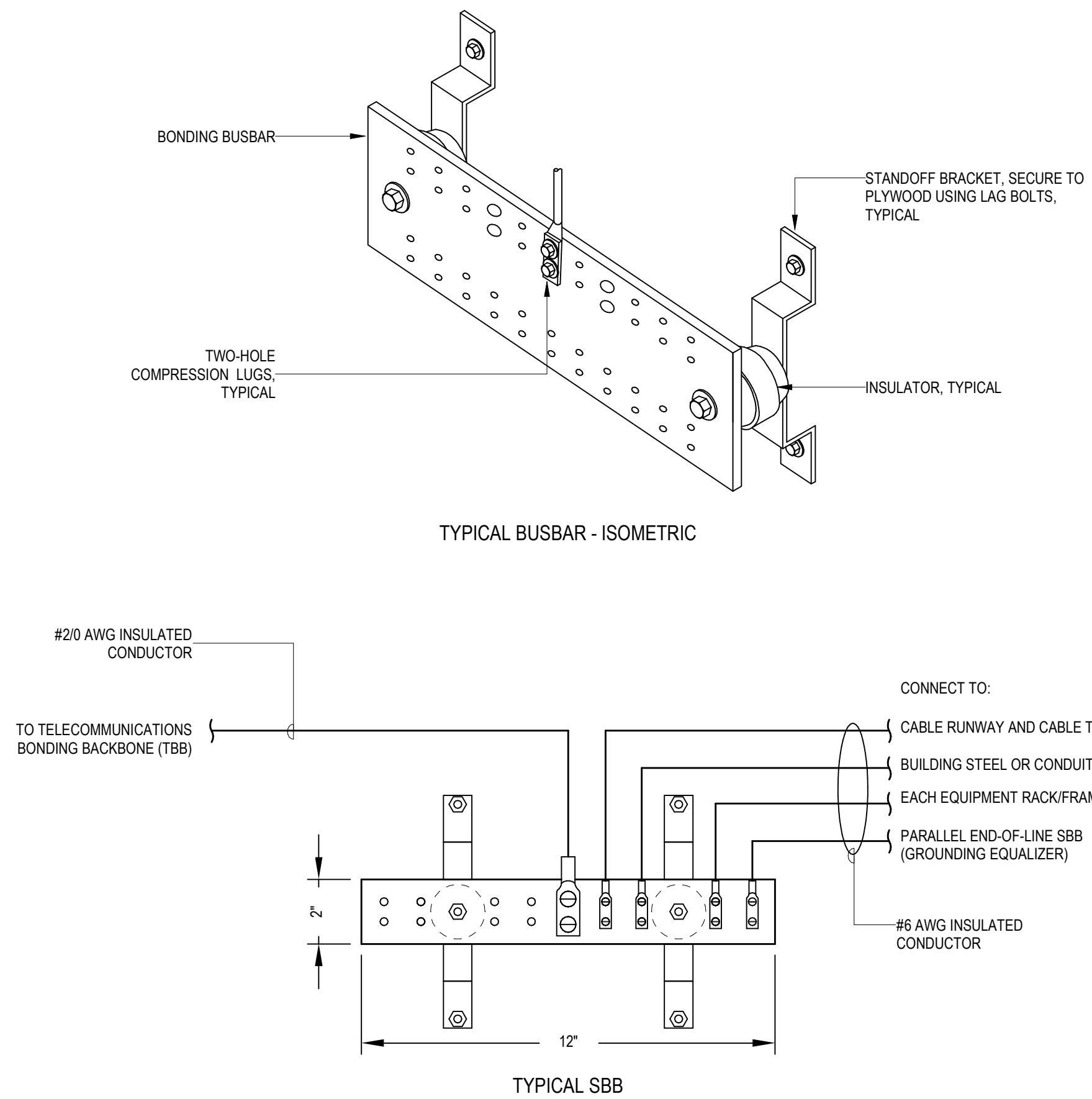
GENERAL NOTES

- A. ALL LOW VOLTAGE CONDUITS TO BE ROUTED TO NEAREST ACCESSIBLE CEILING SPACE (CABLE TRAY USE MOST DIRECT ROUTE POSSIBLE. PROVIDE FIRESTOPPING AS REQUIRED FOR ALL PENETRATIONS.
- B. ALL LOW VOLTAGE CONDUITS TO BE SUPPLIED WITH NYLON BUSHING AND PULL STRING.
- C. PROVIDE CLEAR PERMANENT MARKING WITHIN UNFINISHED PORTION OF FLOOR BOX TO IDENTIFY WHETHER GANG IS RESERVED FOR AV, IT OR POWER

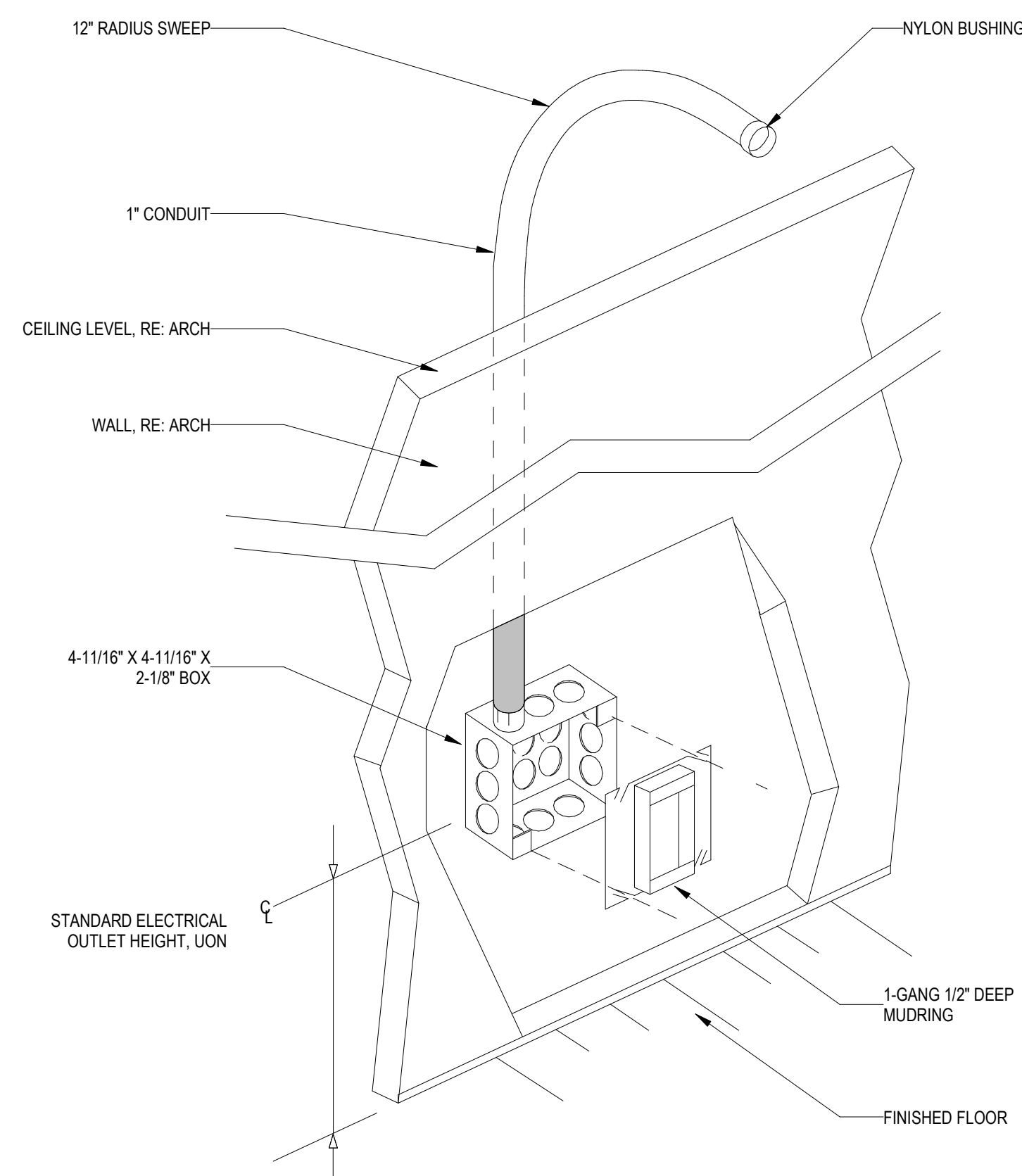
1 WIREMOLD EFB45S-OG FLOOR BOX COORDINATION DIAGRAM (FB2)
NTS



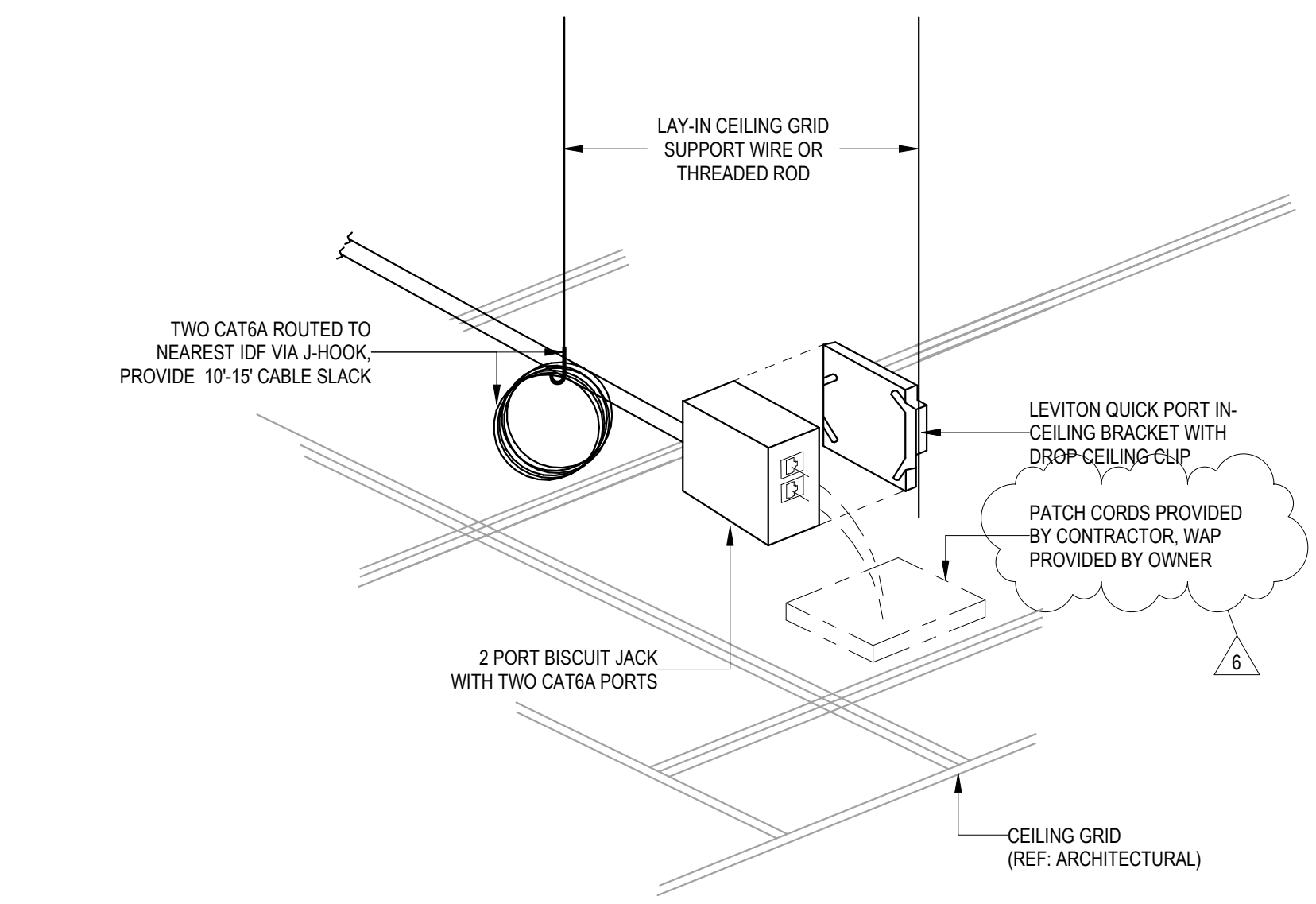
2 WIREMOLD EVOLUTION 6AT POKE-THRU COORDINATION DIAGRAM (PT2)
NTS



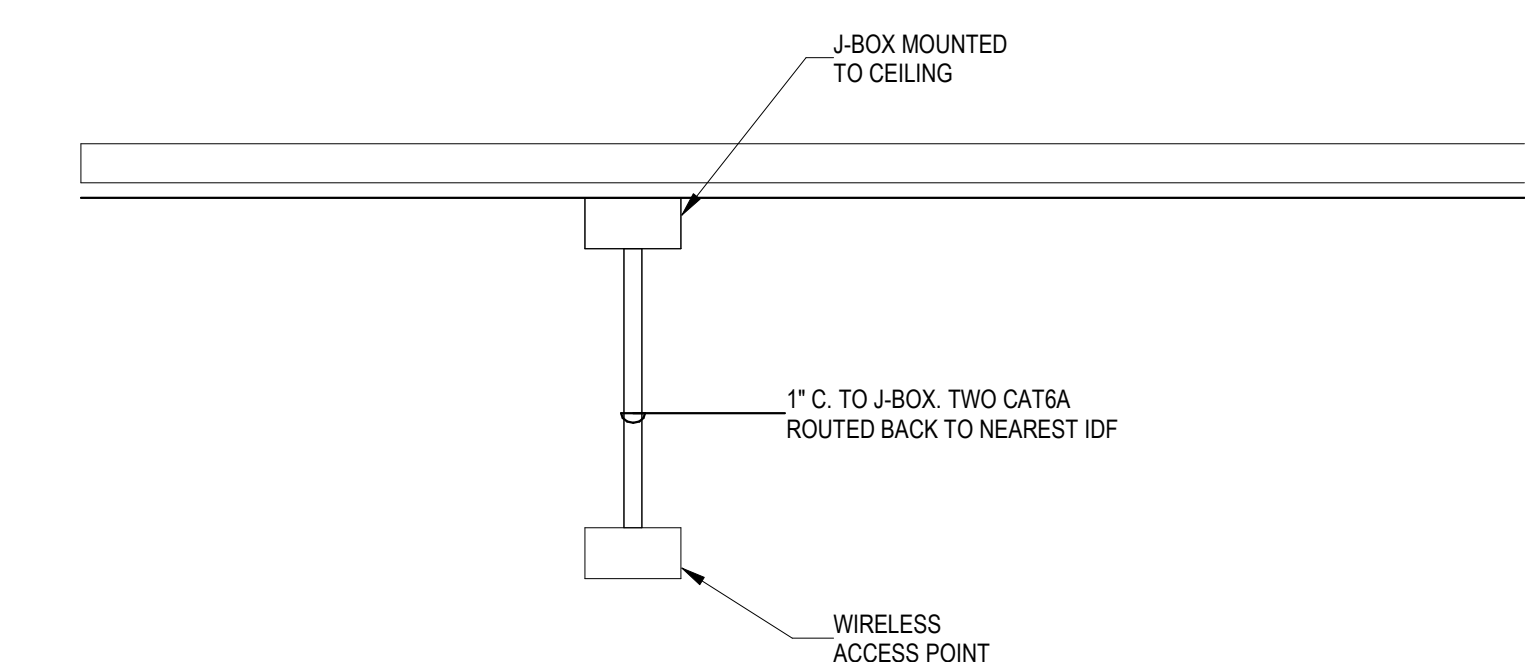
3 TELECOMMUNICATIONS BONDING BUSBAR DIAGRAM
NTS



4 TYPICAL COMMS OUTLET BOX DIAGRAM
NTS



5 WIRELESS ACCESS POINT - ACCESSIBLE CEILING
NTS



6 HANGING CONDUIT MOUNT - ACCESS POINT
NTS